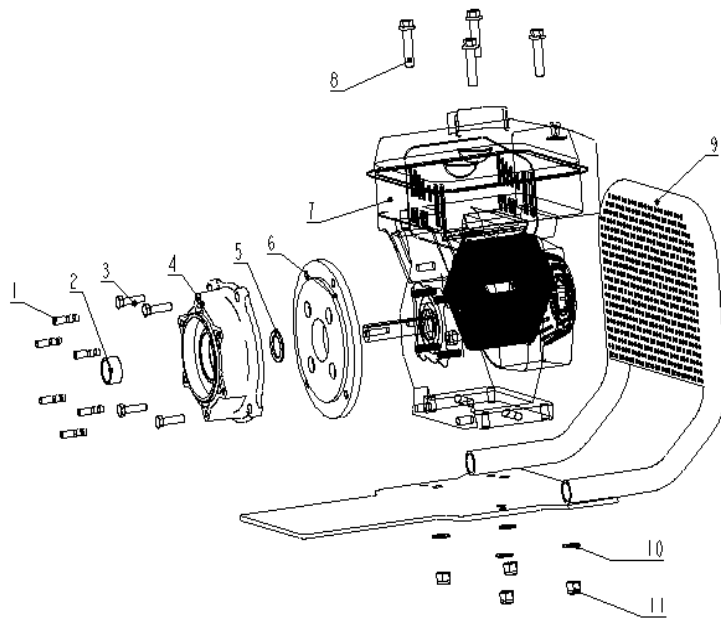
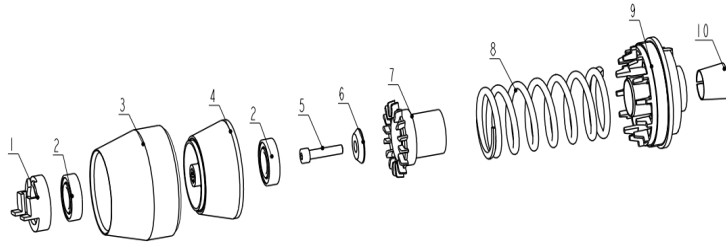


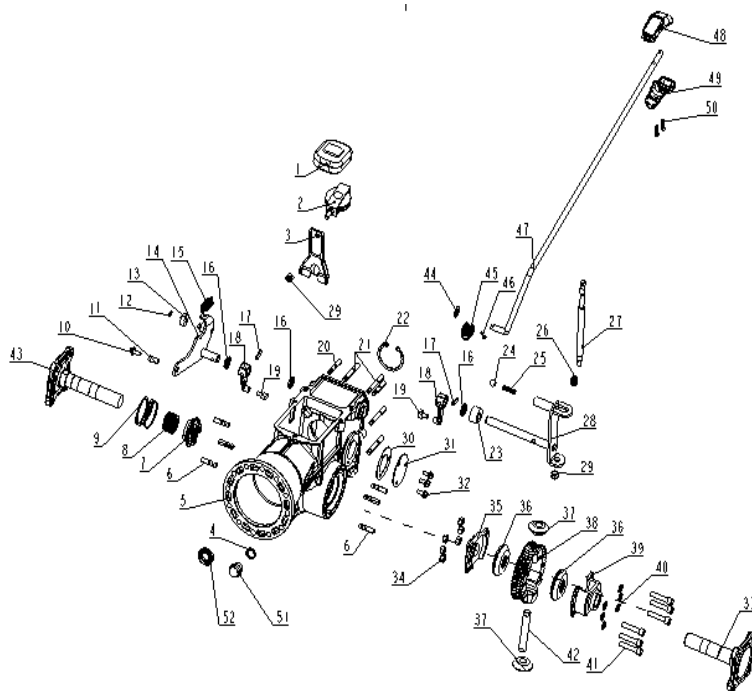
LP	Kod	Nazwa	Ilość
1	97599	Power input system sub-assembly	1
2	97600	Clutch assembly	1
3	97601	gear box	1
4	97602	Wheel drive system	2
5	97603	upper cover	1
6	97604	handle bar adapter sub assembly	1
7	97605	handlbe bar sub assembly	1
8	97606	back cover	1
9	97607	transmission	1



LP	Kod	Nazwa	Ilość
1	97608	Double end studs M8x71	6
2	97609	shaft sleeve	1
3	97610	Hex flang bolts M6x10	4
4	97611	Front end cover	1
5	97612	ajustable Gasket 26*34*2	1
6	97613	engine connector	1
7	97614	engine	1
8	97615	Hex flang bolts M10x45	4
9	97616	Gasoline engine bracket in the bumper	1
10	97617	Flat gasket $\phi 10 * \phi 20 * 2$	4
11	97618	Hexagon check nut M10	4



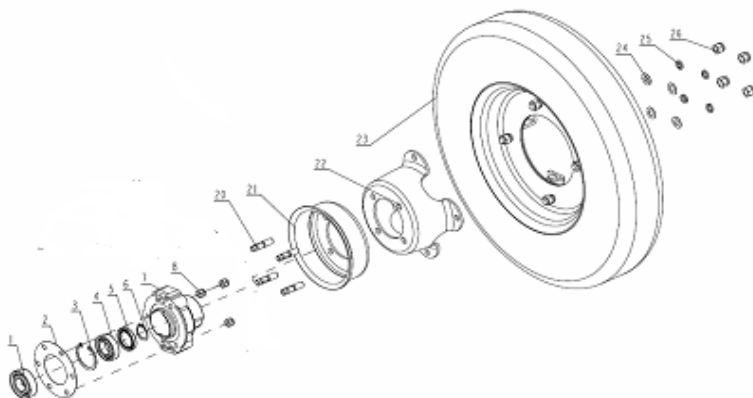
LP	Kod	Nazwa	Ilość
1	97617	fork connector	1
2	97618	bearing 6004-2RS	2
3	97619	Clutch outer housing	1
4	97620	driven disc	1
5	97621	hex nut	1
6	97622	Tapered gasket	5
7	97623	heat radiator	4
8	97624	reset spring	1
9	97625	driving disc	1
10	97626	Opening taper sleeve	1



LP	Kod	Nazwa	Ilość
1	97626/01	Dust cover	1
2	97627	Clutch fork roller assembly	1
3	97628	Fork	1

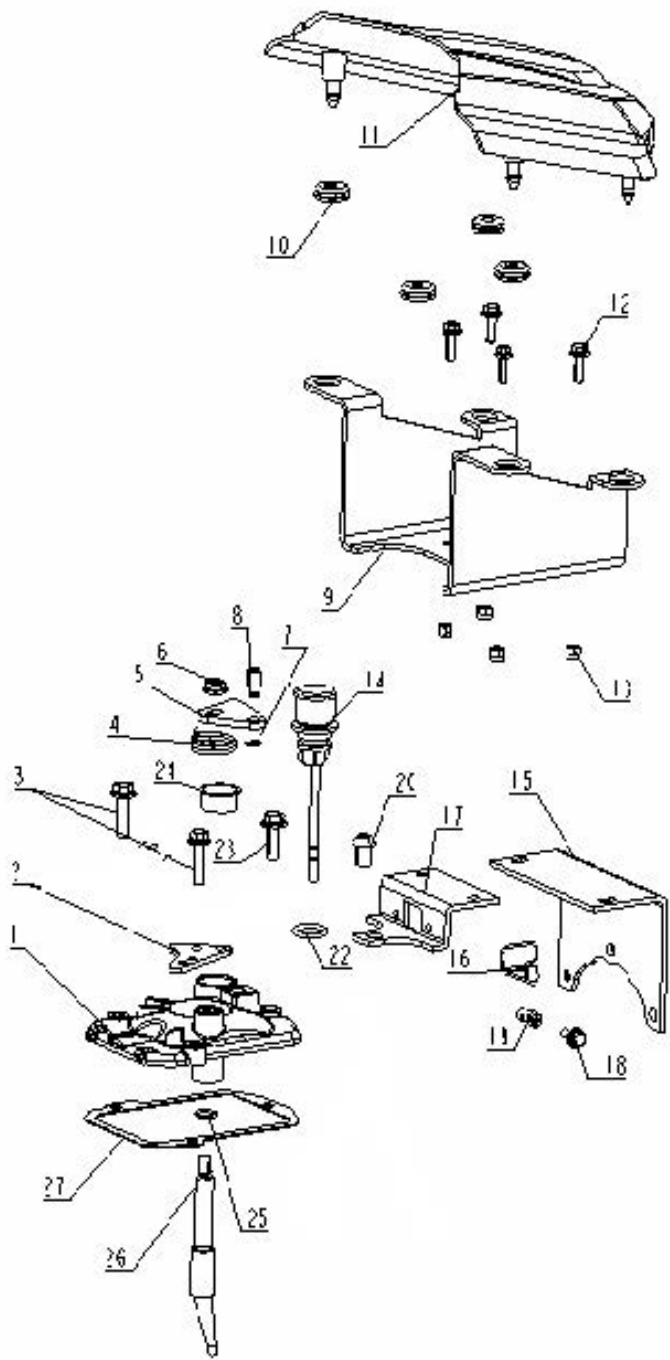
LP	Kod	Nazwa	Ilość
4	97629	seal M18	1
5	97630	Cylinder case	1
6	97631	Double end studs M8×41	6
7	97632	clutch Pawl	1
8	97633	spline shaft	1
9	97634	Differential clutch spring	1
10	97635	Hex flang bolts M6*16	1
11	97636	Stay fixed nut	1
12	97637	c clip Φ6	1
13	97638	Clutch bracket pulley	1
14	97639	Shifting fork bracket	1
15	97640	Reverse return spring	1
16	97641	oil seal Φ14*Φ22*4	3
17	97642	Elastic cylindrical pin Φ6×25	2
18	97643	Large Rocker Arm	2
19	97644	Rocker Arm head	2
20	97645	Double end studs M8×56	2
21	97646	Double end studs M8×71	4
22	97647	clip Φ52	1
23	97648	adjust spacer Φ14*Φ28*15	1
24	97649	steel ball Φ12	1
25	97650	Shift position spring	1
26	97651	Shift lever reset spring	1
27	97652	Gear link rod	1
28	97653	Shifting fork bracket	1
29	97654	hexagonal locking nut M8	1
30	97655	case gasket	1
31	97656	case cover	1
32	97657	Hex flang bolts M6X12	3
33	97658	Right spline shaft	1
34	97659	metal insert locknut M8	0
35	97660	Umbrella tooth left permanent seat	0
36	97661	Bevel gear 2	0
37	97662	Bevel gear 1	0

LP	Kod	Nazwa	Ilość
38	97663	worn gear Assembly	1
39	97664	Bevel gear seat	1
40	97665	washer	6
41	97666	Socket head cap screw	6
42	97667	Bevel gear shaft	1
43	97668	Left spline shaft	1
44	97669	washer $\phi 10 * \phi 20 * 2$	1
45	97670	Shifting universal joint	1
46	97671	Cotter pin 3.2*25	1
47	97672	long stick	1
48	97673	upper plastic cover	1
49	97674	bottom plastic cover	1
50	97675	Philips countersunk head tapping screws ST4X25	2
51	97676	Oil drain bolt M18*15	1
52	97677	Oil seal $\Phi 14 * \Phi 30 * 8$	1

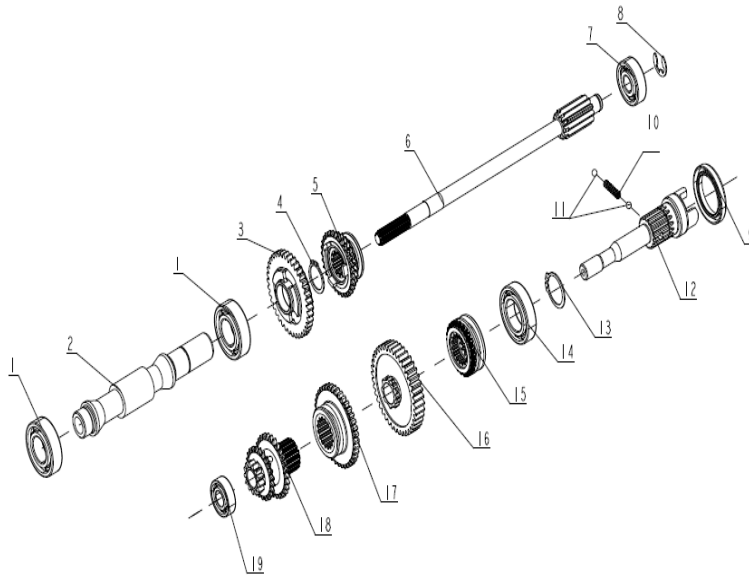


LP	Kod	Nazwa	Ilość
1	97678	bearing6205	1
2	97679	gasket	1
3	97680	hole ring $\Phi 47$	1
4	97681	bearing 6005	1
5	97682	oil seal 30X42X8	1
6	97683	shaft ring25	1
7	97684	Wheel Axle support	1
8	97685	Hexagon check nut M8	4

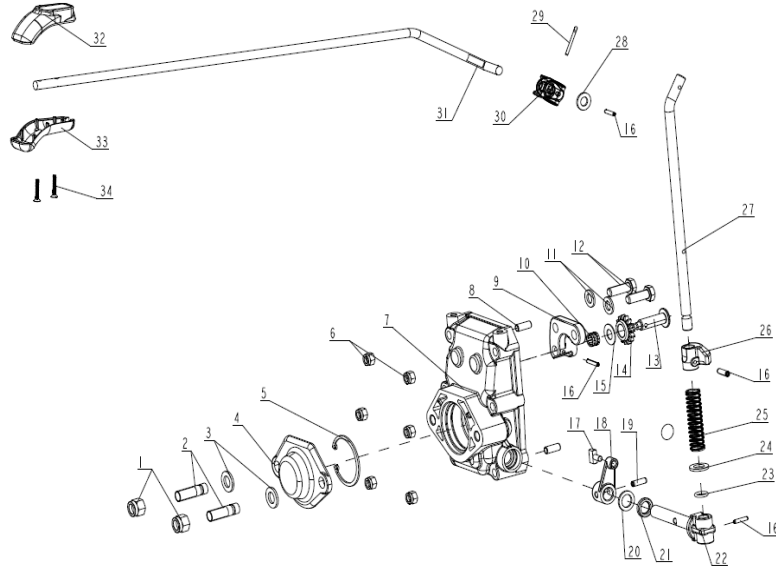
LP	Kod	Nazwa	Ilość
20	97686	Double end studs M10×40	4
21	97687	Brake drum	1
22	97688	Wheel connector	1
23	97689	Wheel assembly	1
24	97690	Flat gasketΦ10*Φ22.5*2	4
25	97691	Elastic gasket Φ10	4
26	97692	Hexagon check nut M10	4



LP	Kod	Nazwa	Ilość
1	97693	upper cover	1
2	97694	cable support	1
3	97695	bolt M8*30	2
4	97696	spring	1
5	97697	lever plate	1
6	97698	nut M8	1
7	97699	circlip $\Phi 6$	1
8	97700	clutch	1
9	97701	cover support	1
10	97702	rubber	4
11	97703	cover for battery	1
12	97704	screw M6X16	4
13	97705	nut M6	4
14	97706	dipstick assy	1
15	97707	fix suport	1
16	97708	switch off wire	1
17	97709	cable support	1
18	97710	screw M6X16	1
19	97711	nut	1
20	97712	screw M10X16	1
22	97713	o-ring $\Phi 19 * \Phi 3.55$	1
23	97714	screw M8X25	1
24	97715	oil cap	1
25	97716	o-ring $\Phi 1.8 * \Phi 14$	1
26	97717	clutch, steering fork	1
27	97718	gasket	1

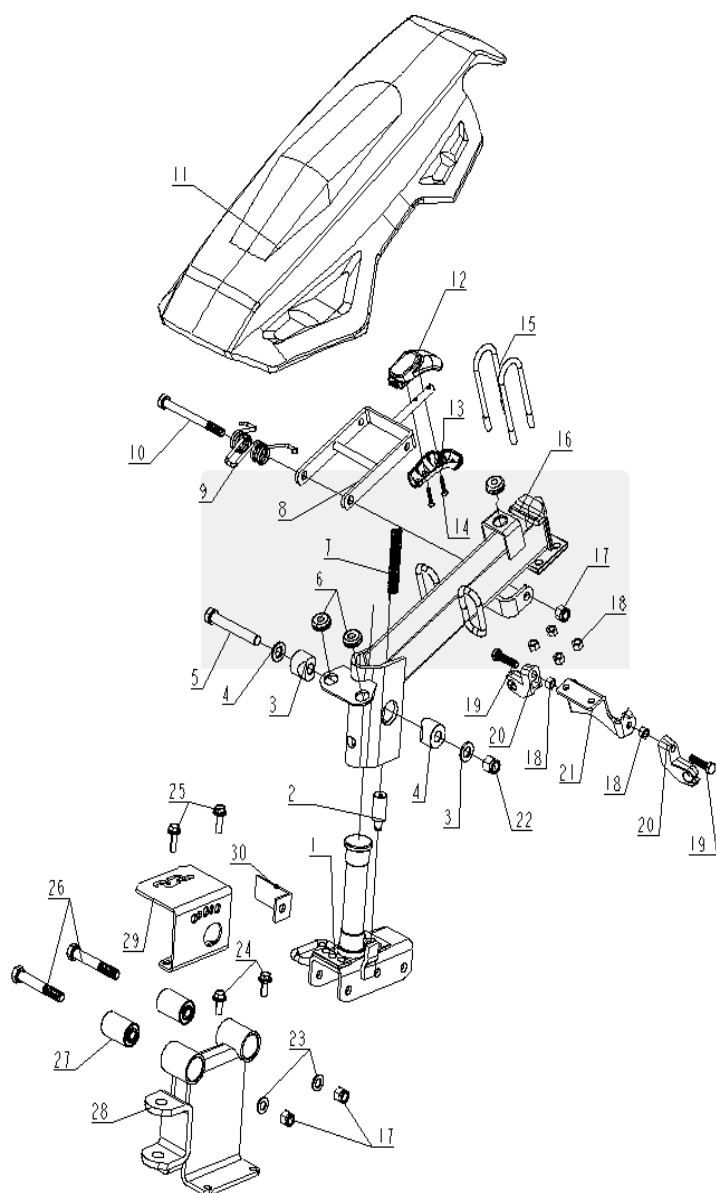


LP	Kod	Nazwa	Ilość
1	97719	Bearing6205	2
2	97720	Worm	1
3	97721	Countershaft 38 tooth	1
4	97722	Axial spring collar 25	1
5	97723	Variable speed clutch gear	1
6	97724	Active spline shaft	1
7	97725	Bearing $\Phi 15 * \Phi 42 * 13$	1
8	97726	C type jump ring $\Phi 12$	1
9	97727	Oil seal 38x55x7	1
10	97728	Functional clutch gear positioning spring	1
11	97729	Functional clutch gear positioning spring steel ball	2
12	97730	output shaft	1
13	97731	Axial spring collar 25 $\Phi 30$	1
14	97732	Bearing6006 $\Phi 30 * \Phi 55 * 13$	1
15	97733	Functional clutch gear	1
16	97734	Function output 40 teeth	1
17	97735	Reverse sliding gear	1
18	97736	Transmission drive gear	1
19	97737	Bearing 6202 $\Phi 15 * \Phi 35 * 11$	1



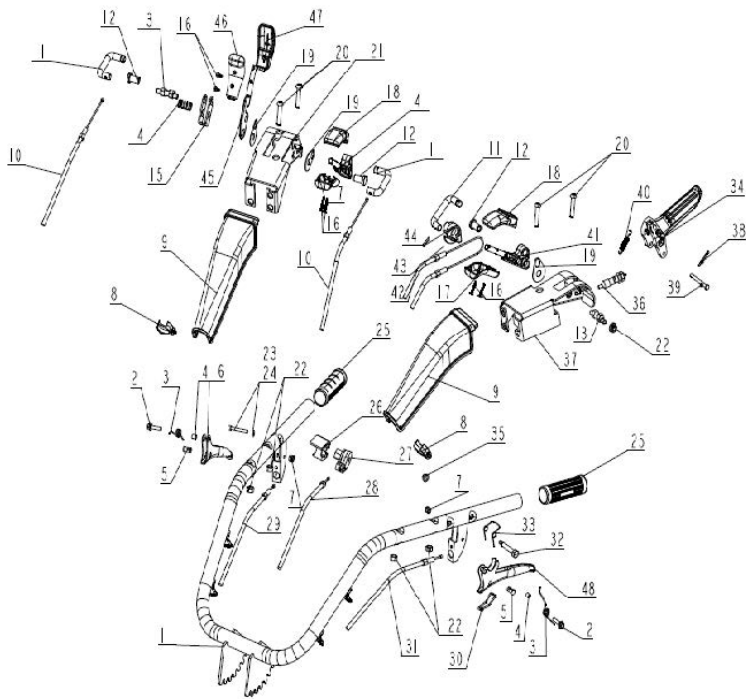
LP	Kod	Nazwa	Ilość
1	97738	Hexagon check nut	2
2	97739	Double end stud	2
3	97740	Flat gasket	2
4	97741	The output protection cover	1
5	97742	Circlips for hole	1
6	97743	Hexagon check nut M8	6
7	97744	Rear cover	1
8	97745	Back cover dowel $\Phi 8 \times 18$	2
9	97746	Reverse gear seat	1
10	97747	Needle bearing	1
11	97748	Flat gasket	2
12	97749	Hexagon bolt	2
13	97750	Reverse gear shaft	1
14	97751	Reverse gear	1
15	97752	Wear resistant gaskets	1
16	97753	Elastic cylindrical pin $\Phi 4 \times 20$	4
17	97754	Rocker head	1
18	97755	Small rockle	1
19	97756	Elastic cylindrical pin	1
20	97757	Flat gasket $\Phi 14 \times \Phi 20 \times 2$	1
21	97758	Oil seal $\Phi 14 \times \Phi 22 \times 4$	1
22	97759	Function of the clutch fork shaft	1

LP	Kod	Nazwa	Ilość
23	97760	O-type rings $\Phi 14 \times \Phi 2.65$	1
24	97761	Flat gasket	1
25	97762	Function of the clutch reset spring	1
26	97763	Function of the clutch plastic covers	1
27	97764	The function of the clutch connecting rod	1
28	97765	Flat gasket	1
29	97766	Cotter pin	1
30	97767	Function of the universal joint	1
31	97768	Long stick	1
32	97769	Handle on the plastic cover	1
33	97770	Handle under the plastic cover	1
34	97771	Cross recessed countersunk head screws ST4X25	2



LP	Kod	Nazwa	Ilość
1	97772	steering shaft	1
2	97773	Steering positioning pin	1
3	97774	Steering shaft locating block	2
4	97775	Gasket 12*24*2.5	2
5	97776	Six angle head bolt M12*80	1
6	97777	Protective cover fixing support rubber sleeve	3
7	97778	Planar steering reset spring	1
8	97779	Planar steering reset spring	1
9	97780	Lifting handle	1
10	97781	Six angle head bolt M10*110	1
11	97782	Protective cover for arm	1

LP	Kod	Nazwa	Ilość
12	97783	upper handle plastic cover	1
13	97784	under handle plastic cover	1
14	97785	Cross recessed countersunk head screws ST4X20	2
15	97786	U shape bolt	2
16	97787	Arm connecting body	1
17	97788	Six angle head anti loose nut M10	3
18	97789	Six angle head anti loose nut M8	6
19	97790	Six angle head bolt M8*35	2
20	97791	Gear lever holder	2
21	97792	Limit plate	1
22	97793	Six angle head anti loose nut M12	1
23	97794	Flat gasket 10* Phi Phi 20*2	2
24	97795	Six angle flange bolts M8 * 20	2
25	97796	Six angle flange bolt M8*25	2
26	97797	Six angle head bolt M10*75	2
27	97798	Shock absorbing sleeve assembly	2
28	97799	Connecting seat of arm rest	1
29	97800	Gear board	1
30	97801	Gear board	1



LP	Kod	Nazwa	Ilość
1	97802	handlebar	1
2	97803	Six angle head bolt m6*25	2
3	97804	Lower trigger reset spring	2
4	97805	The trigger reset spring pin Phi Phi 8*8 6.5*	2
5	97806	Pull cable fix pin	2
6	97807	automatic loader	1
7	97808	Six angle head anti loose nut M6	2
8	97809	Protective cover mounting card	2
9	97810	Protective cover for handle	2
10	97811	Reverse gear and steering clutch cable	2
11	97812	Guyed U type connecting rod	2
12	97813	Bolt locating pin	3
13	97814	Double headed bolt	2
14	97815	Reverse limit spring handle	1
15	97816	Reverse handle limit spring seat	1
16	97817	Under handle plastic cover	2
17	97818	upper handle plastic cover	2
18	97819	Cross recessed countersunk head screws ST4X20	6

LP	Kod	Nazwa	Ilość
19	97820	Linkage sheet	3
20	97821	In the six corners of pan head bolts M8*45	4
21	97822	Turn and reverse bracket	1
22	97823	Six angle head flange anti loose nut M8	5
23	97824	Inner six angle bolt M6*40	1
24	97825	gasket $\Phi 6.5 * \Phi 13 * 1$	1
25	97826	handlebar grip	2
26	97827	Accelerator Switch Bracket	1
27	97828	throttle switch assembly	1
28	97829	Throttle switch cable assembly	1
29	97830	The plane steering cable	1
30	97831	upper clutch cable assembly	1
31	97832	under clutch cable assembly	1
32	97833	Upper clutch handle screw shaft	1
33	97834	Upper clutch handle reset spring	1
34	97835	Upper clutch plate trigger	1
35	97836	Six angle flange anti loose nut M6	1
36	97837	turn off switch	2
37	97838	Turn off switch and brake bracket	1
38	97839	Turn off switch handle	1
39	97840	Reset spring connecting shaft	1
40	97841	Turn off switch reset spring	1
45	97842	reverse gear lever	1
46	97843	Plastic cover under the handle (red)	1
47	97844	Plastic cover under the handle (red)	1
48	97845	lower trigger	1