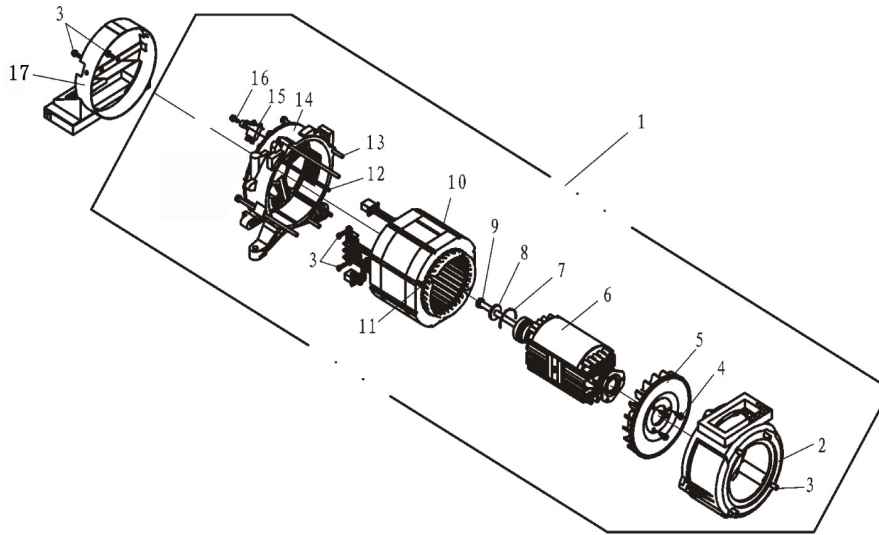
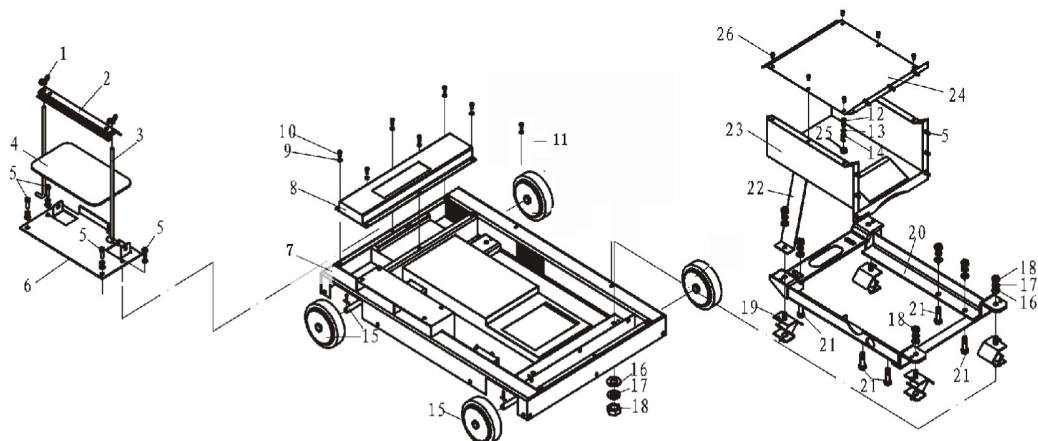


1. Diesel Engien Assembly			
1	KD186FA、188FA、192F	Air Cooled Diesel Engine	1
2	GB/T97.1-2000	Gasket 6	2
3	JF6700-01001	Front Air Guide Plate 6700, 7500	1
	JF8500-01001	Front Air Guide Plate 85000	1
4	GB/T5783-2000	Bolt M8x16	2
5	GB/T93-1987	Elastic Washer 8	2
6	GB/T97.1-2000	Flat Gasket 8	2
7	GB/T5783-2000	Bolt M8x16	2
8	JF6700-01002	Buffer Bracket Unit 6700,7500	1
	JF8500-01002	Buffer Bracket Unit 8500	1
9	GB/T5783-2000	Bolt M6X30	2
10	GB/T5783-2000	Bolt M6X20	2
11	JF6700-01003	Fuel Pipe Pressure Plate Unit	1
12	JF6700-01004	Rear Air Guide Plate Weldment 6700,7500	1
	JF8500-01004	Rear Air Guide Plate Weldment 8500	1
13	GB/T93-1987	Elastic Washer6	2
14	JF6700-01005	Oil Drain Bolt(Longer)	1
15	KD186F-07000B	Air Filter Assembly(Silent Diesel generator)	1
	KD186F-07100	Air Filter Element 186、188	1
	KD192F-07100	Air Filter Element 192	1

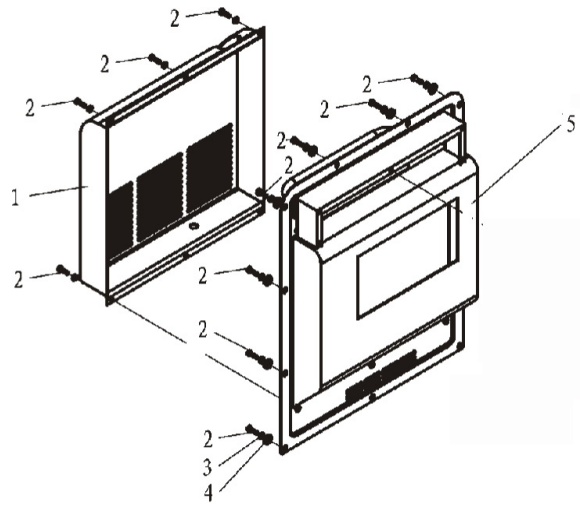


2.Motor Assembly			
1	KF6700Q-02000	6700 Alternator Assembly,Single Phase	1
	KF7500Q-02000	7500 Alternator Assembly,Single Phase	1
	KF8500Q-02000	8500 Alternator Assembly,Single Phase	1
	KF6700Q-3-02001	6700 Alternator Assembly,Three Phase 380T	
	KF7500Q-3-02001	7500 Alternator Assembly,Three Phase 380T	
	KF8500Q-3-02001	8500 Alternator Assembly,Three Phase 380T	
	KF6700Q-3-02002	6700 Alternator Assembly,Three Phase 220T	
	KF7500Q-3-02002	7500 Alternator Assembly,Three Phase 220T	
	KF8500Q-3-02002	8500 Alternator Assembly,Three Phase 220T	
2	JF6700-02001	Front Cover of Motor	1
3	GB/T5783-2000	Bolt M8x30	4
4	GB/5786-2000	ScrewM5x12	7
5	JF6700-02002	Motor Fan	1
6	KF6700-02100	Rotator 6700,Single Phase	1
	KF7500-02100	Rotator 7500,Single Phase	1
	KF8500-02100	Rotator 8500,Single Phase	1
7	6204DU	Clip	1
8	JF6700-02003	Gasket	1
9	JF6700-02004	Bolt (Locking Rotor)	1
10	KF6700-02200	Stator 6700,single Phase	1
	KF7500-02200	Stator 7500,single Phase	1
	KF8500-02200	Stator 8500,single Phase	1
	KF6700-3-02201	Stator 6700,Three Phase 220/380V	1
	KF7500-3-02201	Stator 7500,Three Phase 220/380V	1
	KF8500-3-02201	Stator 8500,Three Phase 220/380V	1
	KF6700-3-02202	Stator 6700,Three Phase 127/220V	1
	KF7500-3-02202	Stator 7500,Three Phase 127/220V	1
	KF8500-3-02202	Stator 8500,Three Phase 127/220V	1
11	GB/810-1988	Round Nut M5	2
12	GB/T5783-2000	Bolt M5(Locking Stator)	2
13	GB/T5783-2000	Bolt M6(Locking front Cover)	4
14	KF6700-02002	Rear Cover of Alternator	1
15	D104	Carbon Brush	1
16	GB/5786-2000	ScrewM5x14	2
17	JF6700-02100	Air Guide Cover of Motor Weldment	1
	JF8500-02100	Air Guide Cover of Motor Weldment	1

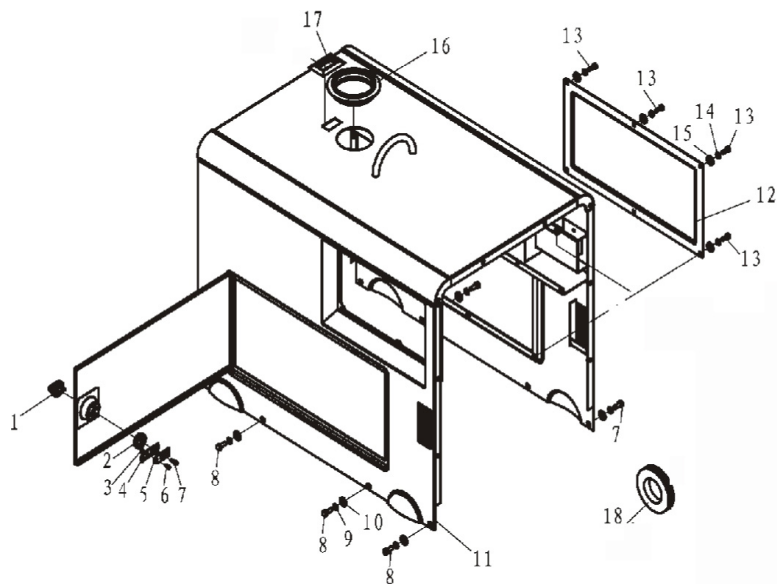


3.Chassis of Assembly

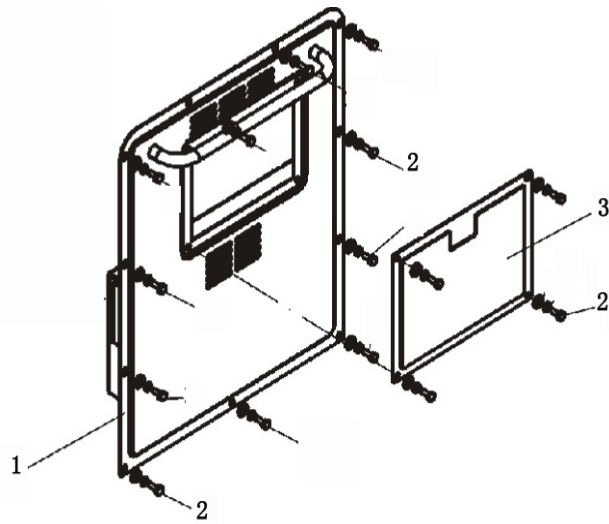
1	GB/62-1988	Nut M6	2
2	KF6700-08002	Pressure Plate of Batteryer 6	1
3	KF6700-08001	Fasten rod of Battery	2
4	KF6700-08004	Base Plate of Battery	1
5	GB/T5783-2000	Bolt M6x20	13
6	JF6700-03001	Support Plate of Battery	1
7	JF6700-03200	Chassis Weldment	1
8	JF6700-03002	Tailstock Air Hole of Motor	1
9	GB/T93-1987	Elastic Washer 5	6
10	GB/T5783-2000	Bolt M5x12	6
11	GB/T5789-2000	Bolt M6x12	1
12	GB/T5783-2000	Bolt M6x20	4
13	GB/T93-1987	Elastic Wash	4
14	GB/T97.1-2002	Flat Gasket 6	4
15	JF6700-03004	Castor	2
16	GB/T97.1-2002	Flat Gasket 10	14
17	GB/T93-1987	Elastic Washers 10	14
18	GB/T6170-2000	Nut M10	14
19	KF6700-07000	Damping Block	4
20	JF6700-03100	Weldment of Frame Base seat 6700,7500	1
	JF8500-03100	Weldment of Frame Base seat,8500	1
21	GB/T5783-2000	Bolt M10x45	6
22	JF6700-03005	Bracket of Heat Insulation Box Weldment	1
23	JF6700-03006	Lower Body of Heat Insulation Box Weldment	1
24	JF6700-03007	Cover Plate of Heat Insulation Box	1
25	GB/T6170-2000	Nut M6	2
26	GB/T818-2000	Bolt Screw M6x12	6



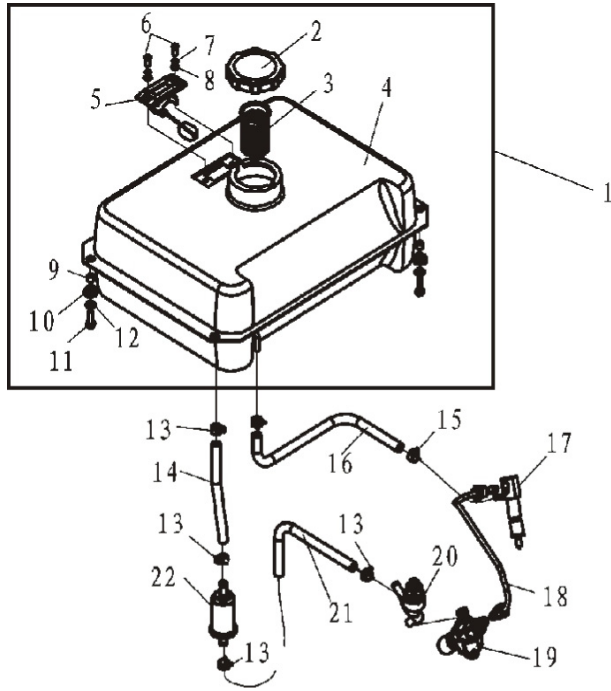
4.Left Side Plate			
1	JF6700-04100	Radiating Plate	1
2	GB/T5783-2000	Bolt.M6x16	17
3	GB/T93-1987	Elastic Washer 6	17
4	GB/T96-1985	Big Gasket 6	11
5	JF6700-04200	Left Side Plate Weldment	1



5.Casing Unit			
1			1
2			1
3			1
4	JF6700-05100	Door Lock Assembly	1
5			1
6			1
7			1
8	GB/T5783-2000	Bolt.M6*20	8
9	GB/T93-1987	Elastic Washer 6	8
10	GB/T96.2-2002	Big Gasket 6	8
11	JF6700-05200	Casing Weldment	1
12	JF6700-01001	Rear Plate Weldment	1
13	GB/T5783-2000	Bolt.M6*16	6
14	GB/T93-1987	Elastic Washer 6	6
15	GB/T96.2-2002	Big Gasket 6	6
16	JF6700-05002	Damping Cushion of the Fuel Tank	1
17	JF6700-05003	Buoy Window	1
18	JF6700-05004	Window Mount Sheath	1

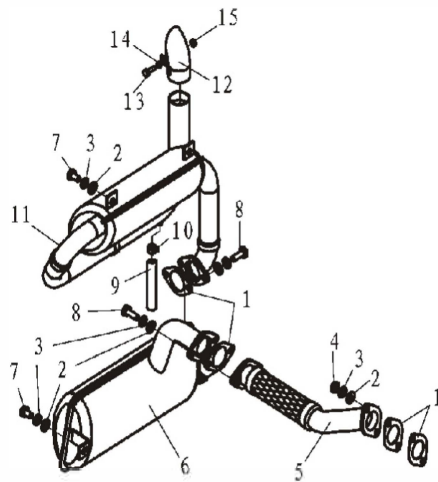


6.Right Side Plate			
1	JF6700-06100	Right Side Plate Weldment	1
2	GB/T5783-2000	Bolt.M6x16	15
3	JF6700-06001	Air Cleaner Cover Plate	1

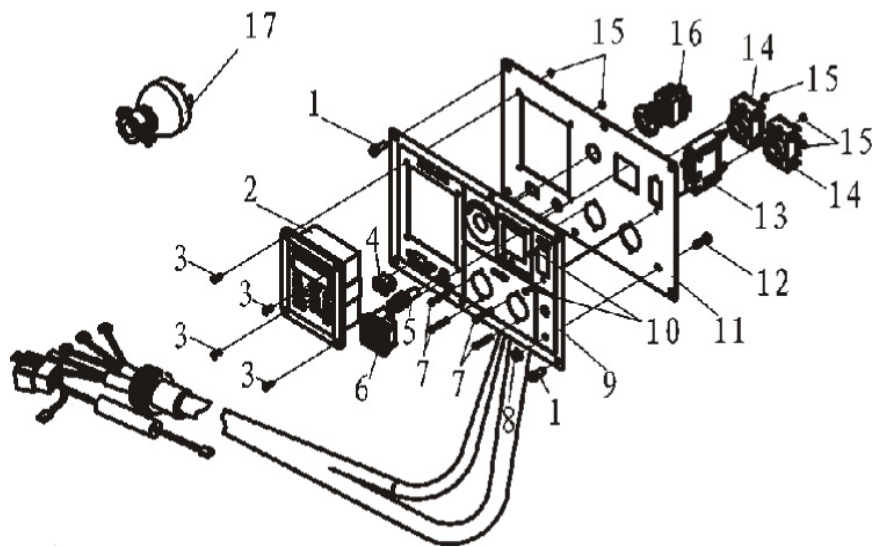


7. Fuel System

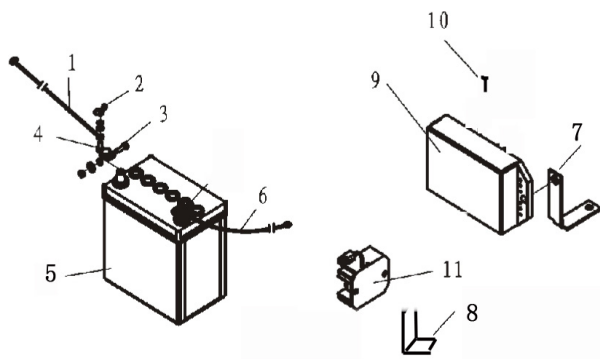
1	JF6700-07000	Fuel Tank	1
2	JF6700-07200	Fuel Tank Cover	1
3	JF6700-07001	Filter Screen of Filling	1
4	JF6700-07100	Fuel Tank Weldment	1
5	JF6700-07300	Oil Indicator	1
6	GB/T818-2000	Screw.M5x12	2
7	GB/T93-1987	Elastic Washer 5	2
8	GB/T97.1-2000	Flat Gasket 5	2
9	JF6700-07002	Sheath	4
10	JF6700-07003	Damping Sheath	4
11	GB/T5783-2000	Bolt.M6x30	4
12	GB/T97.1-2000	Flat Gasket 6	4
13	φ13 Clip	Clip I	4
14	JF6700-07004	Fuel Delivery Pipe I	1
15	φ9 Clip	Clip II	2
16	JF6700-07005	Oil Return Pipe	1
17	KD186FA-12000	Nozzle 6700,7500,8500	1
18	KD186FA-10500A	High Pressure Fuel Pipe	1
19	KD186FA-13000	Fuel Injection Pump Unit6700,7500,8500	1
20	KD186FA-13000A	Fuel Control Valve Unit	1
21	JF6700-07006	Fuel Delivery Pipe II	1
22	JF6700-07400	Fuel Filter	1



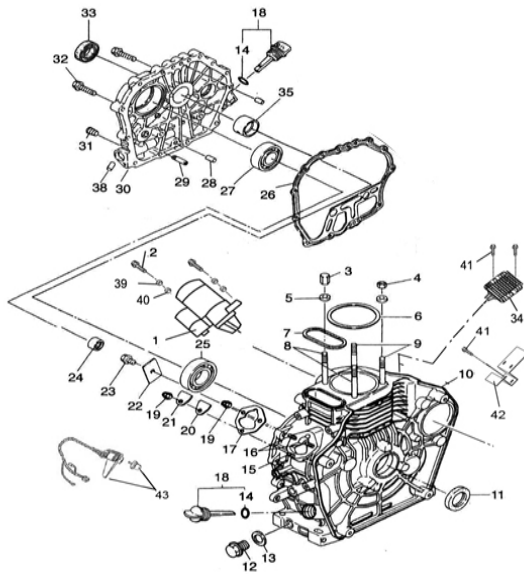
8.Muffler Assembly			
1	KD186F-02015	Exhaust Pipe Washer 6700、7500	4
	KD192F-02015	Exhaust Pipe Washer 8500	
2	GB/T97.1-2000	Flat Gasket 8	9
3	GB/T93-1987	Elastic Washer 8	9
4	GB/T6170-2000	Nut M8	2
5	JF6700-08100	Exhaust Pipe Unit6700、7500	1
	JF8500-08100	Exhaust Pipe Unit8500	1
6	JF6700-08200	Silent Generator Muffler Assembly	1
11	JF6700-08300		1
7	GB/T5783-2000	Bolt.M8x16	3
8	GB/T5783-2000	Bolt.M8x30	4
9	JF6700-08001	Outlet Tube of Tail Air Particle	1
10	φ13 Clip	Clip I	1
12	JF6700-08400	Return Outlet of Tail Air Weldment	1
13	GB/T5783-2000	Bolt.M6*30	1
14	GB/T97.1-2000	Flat Gasket 6	1
15	GB/T6170-2000	Nut M6	1



9.Control Panel			
1	GB/T818-2000	Screw M6x12	6
2	CP001	Digital Control Panel	1
3	GB/T819.1-2000	Screw M4x12	4
4	SW01000	Boat shaped Switch	1
5	ACV02001	AC Voltmeter	1
6	DCS03001	DC Socket	1
7	GB/T818-2000	Screw M4x30	4
8	GB/T6177.1-2000	Nut.M6	1
9	PL01	PVC Label	1
10	GB/T818-2000	Screw.M4x10	2
11	JF6700-09001	Control Panel	1
12	GB/T5783-2000	Bolt M4x20	8
13	SW01001	Breaker	1
14	SC02010-1	Socket	2
15	GB/T6170-2000	Nut M4	8
16	EM1001	Quick-Stop Button	1
17	SP02010-2	Plug	2



10. Battery And Electric Parts			
1	JF6700-10001	Battery Positive Wiring (Red)	1
2	GB/62-1988	Wing Nut M6	2
3	GB/T5783-2000	Bolt M6X25	2
4	JF6700-10002	Battery Positive Wiring Clip	1
5	12V 36Ah Battery	12V 36AH Battery	1
6	JF6700-10003	Battery Ground Wire (Black)	1
7	JF6700-10004	AVR Bracket	1
8	JF6700-10005	Bracket of Regulator	1
9	JF6700-10006	6700,7500,8500 AVR(Single Phase)	1
	JF6700-3-10006	6700,7500,8500AVR(Three Phase)	
10	GB/T5789-2000	Bolt M6X20	6
11	KD186F-12100	Charging Adjustor	1



Lp	Kod	Nazwa
1	95ES1801039	95 Start motor
2	ES1801040	Bolt M10×35 (GB/T5783-2000)
3	95-1704903	95 Cylinder head nuts (long)
4	95-1705003	95Cylinder head nuts (short)
5	95-1704803	95 Cylinder head nut gasket
6	95-1706312	95 Cylinder head gasket 0.3
	951706313	95 Cylinder head gasket 0.4
	95-1706314	95 Cylinder head gasket 0.5
7	95-1801307	Rectangle ring gasket 4.1×4.25×2.3
8	95-1700203	95 Cylinder head bolts (long)
9	95-1700303	95 Cylinder head bolts (short)
10	95-1700110	95 Cylinder block
11	95-1711704	Rear oil seal 35 x 50 x 8
12	17121	Oil drain plug
13	17120	Oil drain plug gasket
14	1711324	O-ring for oil dipstick 24×2.4
15	95-17123	Fuel injection pump fastening bolt (long)
16	95-17122	Double ended stud AM6 x25
17	1719605	Injection Pump Gasket
18	95-1702002	Oil dipstick
19	1710103	Heterotypic nut M6(GB/T 6170)
20	17159	Sealing plate gasket
21	17158	Sealing plate
22	17195	Thrust piece
23	1710636	Bolts M8×16 (GB5783-86)
24	1710010	Needle bearing 7941/15
25	95-1710008	95 Ball bearing 308 (NSK)
26	95-1704603	95-Crankcase cover gasket
27	95-1710004	95-Bearing 207 (GB/T276-94)
28	1711111	Retaining pin 8x12 (GB119-2001)
29	17080	Oil guide
30	95-1701904	95-Crankcase cover
31	17133	Inner Hexagon Plug G1/8"
32	95-1710083	Hexagon flange bolts M8 x37JB/T 4110-1985
33	95-1711705	Front oil seal 35 x 50 x 10
34	ES1801045	Regulator
35	95-1701803	95-Main Bushing
38	1711602	Aluminum Plug φ8 x 8
39	ES1801041	Flat washer 10 (GB/T97.1-1985)
40	ES1801042	Spring washer 10 (GB/T93-87)
41	1710712	Heterotypic bolt M6×12 (GB/T16674-1996)
42	ES1801043	Support of regulator
43	1801044	Start switch assembly

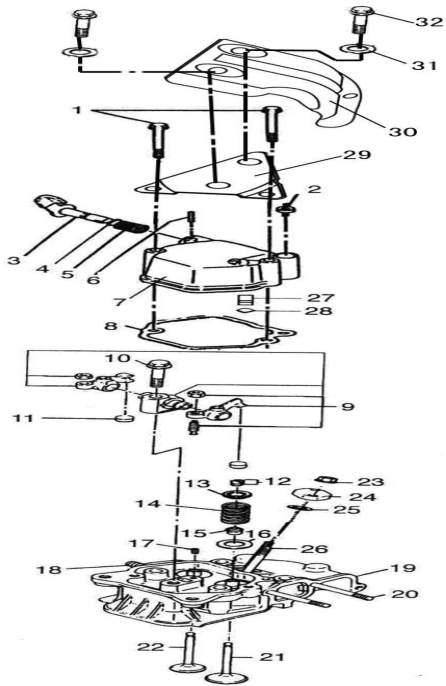


Fig 2. Exploded view of cylinder head

Fig 2. Exploded view of cylinder head		
1	1710730	M6 x 70 Flanged Bolt (GB5789-86)
2	17142	Oiling screw plug
3	17139	Decompression shaft
4	1711310	O ring 10 x 1.9 (GB1235-76)
5	17140	Decompression shaft spring
6	1711103	Retaining pin 3 x 16 (GB119-2000)
7	95-1706603	95-Cylinder head cover
8	95-1717001	95-Cylinder head cover gasket
9	95-1716801	95-Rocker arm
10	95-1716901	95 Rocker arm shaft fastening bolt
11	95-1705203	95 Adjusting valve spacer
12	95-1702703	95 Valve clip
13	95-1702803	95 Valve spring seat
14	95-1702903	95 Valve spring
15	95-1702100	95 Valve guide oil seal
16	95-1802316	95 Valve spring washer
17	1711104	Pin 4 x 8 (GB119-2000)
18	95-1710950	95 Double ended stud AM10 x25 (GB899-88)
19	95-1702404	95 Cylinder Head
20	95-1710955	95 Double ended bolt AM6 x 55 (GB900-88)
	95-1710956	95 Double ended bolt AM6 x 75 (GB900-88)
21	95-1702503	95 Intake valve
22	95-1702605	95 Exhaust valve
23	1710103	M6 (GB6177-86) Nut
24	1717302	Fuel injector pressure plate(for Chinese injector)
25	1724502	Fuel injector adjusting gasket
26	95-1802326	95-fastened bolt of fuel injector AM6x55
27	17141	Breather assembly
28	1711312	O ring 12 x 1.9

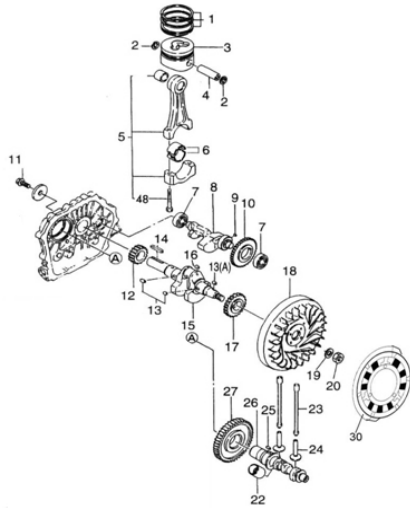


Fig 3. Exploded view of Piston / Crank Assembly

1	95-1701404	Piston Ring group
2	95-1701604	95 Retainer clip of Piston pin
3	95-170204	95 Piston
4	95-1701703	Piston pin
5	95-1701303	Connecting rod body
6	95-1701503	Connecting rod bush
7	95-1710000	95-Bearing 304 (GB/T276-94) NSK
8	95-1706503	95 Balancing Shaft
9	1710507	Key 5 x 7 (GB1096-2003)
10	95-1707703	95 Balancing Shaft Timing Gear
11	1803011	Bolt
12	95-1700803	Crankshaft timing gear
13	1710512	Key 5 x 12 (GB1096-2003)
13A	1710514	Key 5 x 14 (GB1096-2003)
14	95-1710563	95 Key 6 x 63 (GB1096-2003)
15	95-1700708K	95-Crankshaft keyway type
	95-1700708C	95-Crankshaft conic type
16	1711601	Steel ball $\phi 6.25$
17	95-1707803	95 Balancing Shaft Driving Gear
18	95-1704409	95 Flywheel
19	95-1715601	95 Flywheel nut gasket
20	95-1715501	95 flywheel Nut
21	95-1704504	95 Flywheel gear ring (for electric starter)
22	95-1803322	95 Sleeve of fuel pump rod
23	95-1705103	95 Push rod
24	95-171501	95 Tappet
25	710514	Key 5 x 14 (GB1096-2003)
	1710504	Key 4 x 12 (GB1096-2003)
26	95-1701000	95 Camshaft
27	95-1701103	95 Camshaft timing gear
30	1710545	Flywheel generator

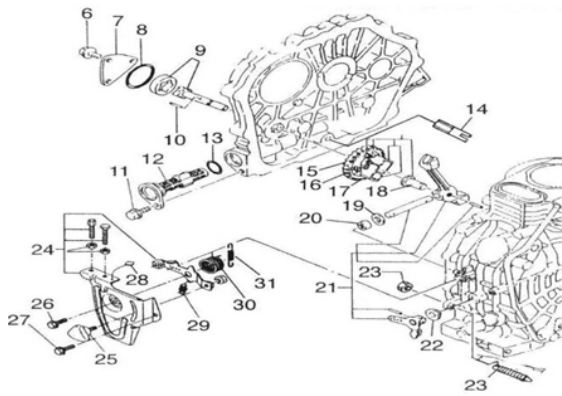


Fig 5 Lubrication and speed control system

Fig 5 Lubrication and speed control system		
6	1710712	Heterotypic Bolt M6 x 12 (GB16674-96)
7	17022	Oil pump cover
8	1711334	O ring 34.5 x 1.8 (GB3452.1-82)
9	95-1713501	Oil Pump
10	1711103	pin 3 x 16 (GB119-2000)
11	1710714	heterotypic Bolt M6 x 14 (GB5789-86)
12	1702103	Oil filter cleaning element
13	1711316	Seal ring 25*2.4
14	17080	Oil Guide
15	95-1702302	Oil pump driving gear
16	17132	Fly block pin
17	17131	Fly block
18	17234	Governor fork tappet
19	17125	Lever shaft gasket
20	1710009	Bearing 7941/8 (GB290-64)
21	95-1700503	95 Fork lever assembly
22	17124	Washer
23	17126	Fuel controller
	281034	Fuel controller
24	17164	Handle bracket
	17164G	On-off speed handle for generator
25	17167	Speed-control lever
26	1710714	Heterotypic Bolt M6 x 14 (GB5787-86)
27	1710714	Heterotypic Bolt M6 x 14 (GB5787-86)
29	17162	Return spring II
30	17161	Return spring I
31	95-1716001	Speed-control spring

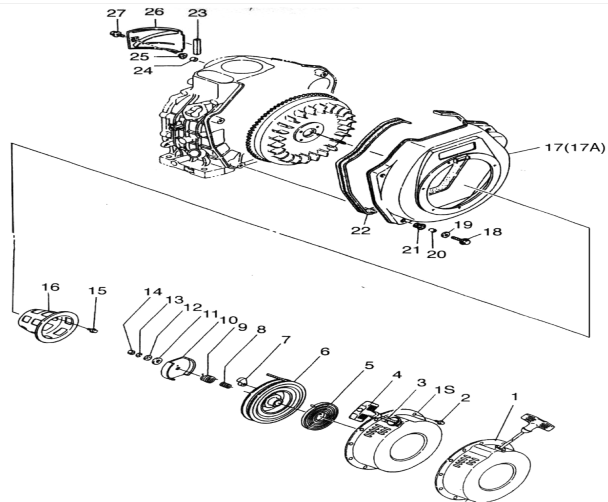


Fig 6. Exploded view of cooling and recoil starting system.

	ASSY016	95 recoil start assembly
1	95-1703404	95 Recoil case assembly
2	1710708	Bolt M6 x 8 (GB5789-1996)
3	95-1703503	95 Recoil starter rope
4	95-1703802	95 Recoil starter handle
5	95-1703303	95 Flat spiracle spring
6	95-1703203	95 Recoil reel
7	95-1704005	95 Starting claw
8	1721801	Helical spring
9	1721901	Torsional spring
10	95-1704006	Starting claw plate
11	95-1703902	95 Friction plate
12	1703803	Friction plate gasket
13	1710306	Spring washer
14	1710106	Nut M6 (GB6170-86)
15	1710712	Bolt M6 x 12 (GB6170-86)
16	95-1705703	95 Starter
17	95-1704105	95 Wind leading case welded
18	170622	Bolt M6 x 22 (GB5783-2000)
19	1710207	washer M6 (GB90-85)
20	17145	Collar of Wind leading case welded
21	17143	Shock absorber
22	95-1806322	95 Shock pads
23	95-17127	95 Shock isolation piece of wind leading plate
24	95-17129	95 Collar of Wind leading plate
25	95-17128	95 Pad
26	95-1700403	95 Wind leading plate
27	95-1710718	95 Bolt M6 x 18 (shaped piece)

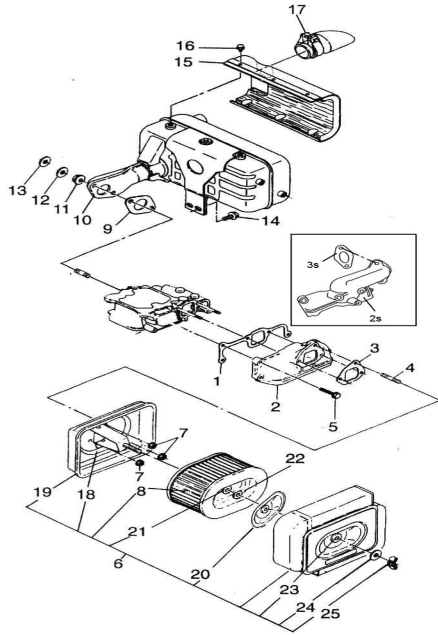


Fig 6. Please refer to Fig 7 for a complete illustration.

1	95-1703103	95 Intake pipe gasket
2	95-1703003	95 Intake pipe
3	95-1717501	95 Air cleaner gasket
4	95-1807304	95-fasten bolt for air cleaner
5	1807305	Heterotypic bolt M6 x 25 (GB5789-96)
6	95-1717401	95 Air filter assembly
7	1710103	Heterotypic Nut M6 (GB6177-86)
8	95-1717601	95 Air filter element
9	95-1718601	95 Muffler gasket
10	95-1705403	95 Muffler assembly
11	95-1710208	Flat washer ϕ 10
12	95-1710308	Spring washer ϕ 10
13	95-1710108	Nut M10 (GB6170-86)
14	1804014	95-heterotypic Bolt M8x16 (GB5789-86)
15	95-1705503	95 Muffler screen cover
16	1710708	Bolt M6 x 8 (GB5789-86)
17	95-1705404	95- Muffler tail pipe
18	95-1718002	95 Sealing ring II of shock proof
19	95-1718003	95 Bottom case assembly of Air Cleaner
20	95-1718001	95 Sealing ring I of shock proof
21	95-1718101	95 Air filter shock absorber
22	95-1710114	95 -Heterotypic nut M8(GB/T6170)
23	95-171011/01	Can not supply separately
24	17177	95-Washer
25	95-1710109	Butterfly nut M8