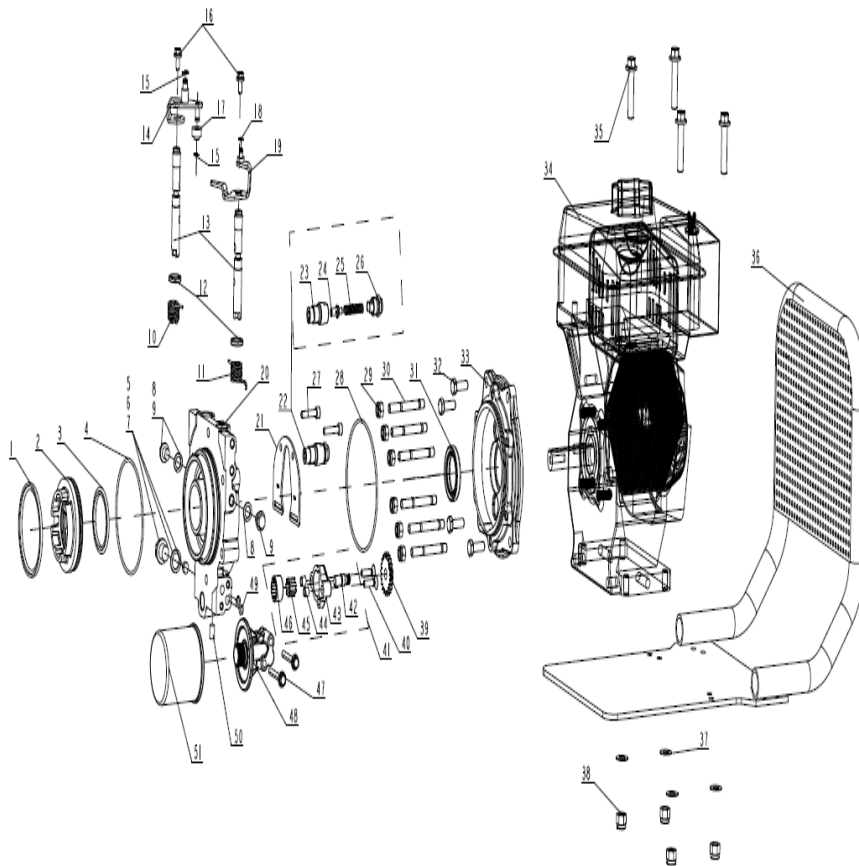
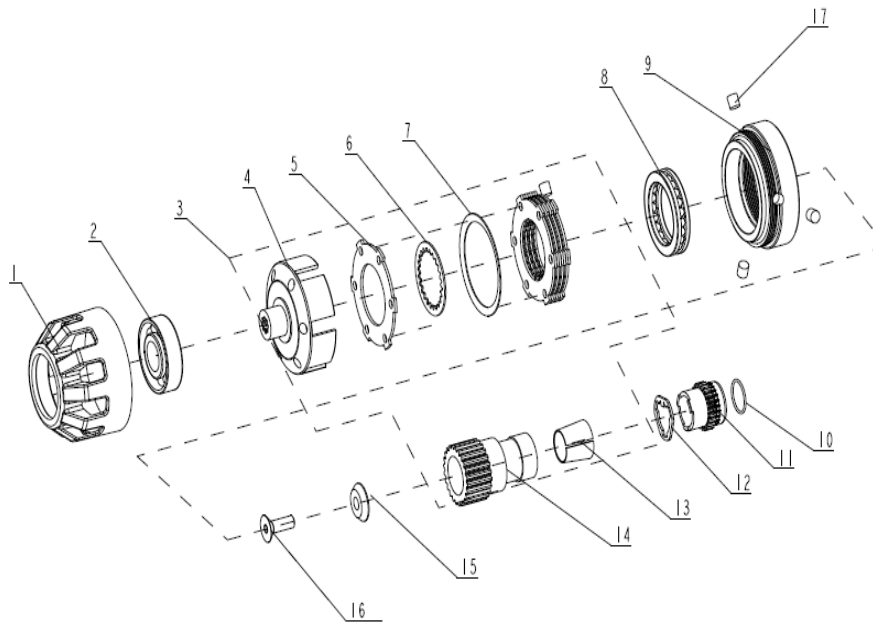


Lp	Kod	Nazwa	Ilość
1	97310	Hydraulic system subassembly	1
2	97311	Clutch assembly	1
3	97312	gear box	1
4	97313	Wheel drive system	2
5	97314	upper cover	1
6	97315	handle bar adapter	1
7	97316	handlbe bar	1
8	97317	back cover	1
9	97318	transmission	1



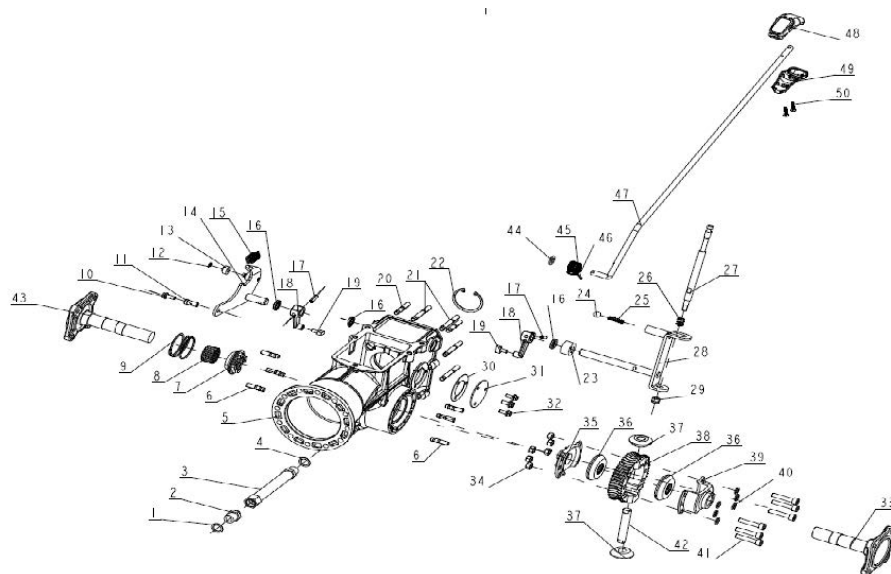
Lp	Kod	Nazwa	Ilość
1	97319	outer seal components $\Phi 75 \times \Phi 85 \times 4.2$	1
2	97320	piston	1
3	97321	inner seal components $\Phi 50.5 \times \Phi 60.5 \times 4.2$	1
4	97322	o ring $\Phi 2.65 \times \Phi 100$	1
5	97323	Oil drain bolt M14*12	1
6	97324	seal M14	1
7	97325	magnetic bar $\Phi 10 \times 5$	1
8	97326	Clutch process screw M10*10	2
9	97327	washer M10	2
10	97328	spring-right side	1
11	97329	spring-left side	1
12	97330	oil seal 14x22*4	2
13	97331	control rod	2
14	97332	Clutch bracket -right side	1
15	97333	C clip $\Phi 6$	2
16	97334	Hex flang bolts M6x10	2

Lp	Kod	Nazwa	Ilość
17	97335	Clutch bracket pulley	1
18	97336	c clip $\Phi 4$	1
19	97337	Clutch bracket -left side	1
20	97338	hydraulic cylinder	1
21	97339	The main clutch reset spring supporting plate	1
22	97340	Pressure relief valve assembly	1
23	97341	Pressure relief valve housing	1
24	97342	Pressure relief valve spring	1
25	97343	shaft	1
26	97344	relief valve spring seat	1
27	97345	hexagon socket screw M6x30	2
28	97346	o ring $\Phi 2.65 \times \Phi 115$	1
29	97347	Hexagon locknut M8	6
30	97348	Double end studs M8x71	6
31	97349	oil seal $\Phi 35 \times \Phi 47 \times 7$	1
32	97350	Hex flange bolt M8*30	4
33	97351	input end cover	1
34	97352	engine	1
35	97353	Hex flange bolt M10*45	4
36	97354	Gasoline engine bracket in the bumper	1
37	97355	washer $\phi 10 \times \phi 20 \times 2$	4
38	97356	Hexagon locknut M10	4
39	97357	Input gear oil pump	1
40	97358	Philips countersunk head bolt M6x25	2
41	97359	Oil pump subassembly	1
42	97360	Oil pump input shaft	1
43	97361	Oil pump shell	1
44	97362	positioning pin $\phi 8 \times 6$	2
45	97363	Inner the oil pump rotor	1
46	97364	outer Oil pump rotor	1
47	97365	Hex flange bolt M6X50	2
48	97366	Oil filter holder	1
49	97367	o ring $\Phi 1.8 \times \Phi 9$	2
50	97368	Oil plug 1/8-27 pressure oil plug screw	1
51	97369	Oil filter	1



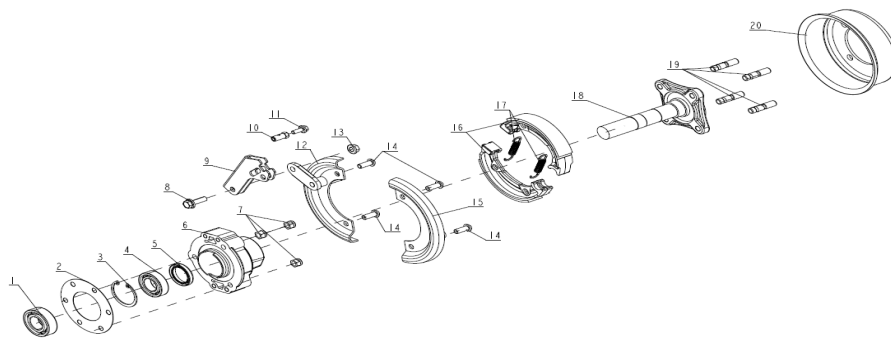
Lp	Kod	Nazwa	Ilość
1	97370	Clutch housing	1
2	97371	Angular contact ball bearings	1
3	97372	Clutch subassembly	
4	97373	Driven cover	1
5	97374	Driven disc	4
6	97375	driving disc	5
7	97376	Butterfly spring	4
8	97377	Thrust bearing 51110	1
9	97378	Clutch joint	1
10	97379	o ring $\Phi 1.8 \times \Phi 25$	1
11	97380	crankshaft gear oil pump input	1
12	97381	Oil pump drive gasket	1

Lp	Kod	Nazwa	Ilość
13	97382	Opening taper sleeve	1
14	97383	Active connecting shaft	1
15	97384	conical washer	1
16	97385	Hexagon head bolts M10*30*1	1
17	97386	cluth plug	3



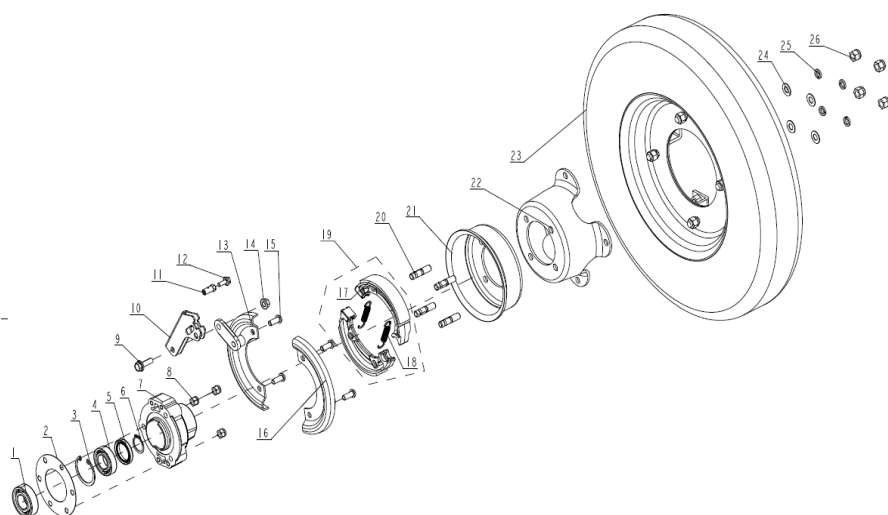
Lp	Kod	Nazwa	Ilość
1	97387	washer M18	1
2	97388	oil bolt	1
3	97389	oil tube	1
4	97390	washer M18	1
5	97391	case	1
6	97392	Double end studs M8×41	6
7	97393	clutch PAWL	1
8	97394	spline shaft	1
9	97395	Differential clutch spring	1

Lp	Kod	Nazwa	Ilość
10	97396	Hex flang bolts M6*16	1
11	97397	Stay fixed nut	1
12	97398	c clip Φ 6	1
13	97399	Clutch bracket pulley	1
14	97400	Shifting fork bracket	1
15	97401	Reverse return spring	1
16	97402	oil seal Φ 14* Φ 22*4	3
17	97403	Pin	2
18	97404	arge radial	2
19	97405	Radial head	2
20	97406	Double end studs M8x56	2
21	97407	Double end studs M8x71	4
22	97408	clip Φ 52	1
23	97409	spacer Φ 14* Φ 28*15	1
24	97410	steel ball Φ 12	1
25	97411	Shift position spring	1
26	97412	Shift lever reset spring	1
27	97413	Gear link rod	1
28	97414	Shifting fork bracket	1
29	97415	hexagonal locking nut M8	1
30	97416	gasket	1
31	97417	cover	1
32	97418	Hex flang bolts M6X12	3
33	97419	Right spline shaft	1
34	97420	metal insert locknut M8	6
35	97421	Umbrella tooth left permanent seat	1
36	97422	Bevel gear 2	2
37	97423	Bevel gear 1	2
38	97424	worn gear	1
39	97425	Bevel gear seat	1
40	97426	washer	6
41	97427	Socket head cap screw	6
42	97428	Bevel gear shaft	1
43	97429	Left spline shaft	1
44	97430	washer ϕ 10* ϕ 20*2	1
45	97431	Shifting universal joint	1
46	97432	Cotter pin 3.2*25	1
47	97433	long stick	1
48	97434	upper plastic cover	1
49	97435	bottom plastic cover	1
50	97436	Phillips countersunk head tapping screws ST4X25	2



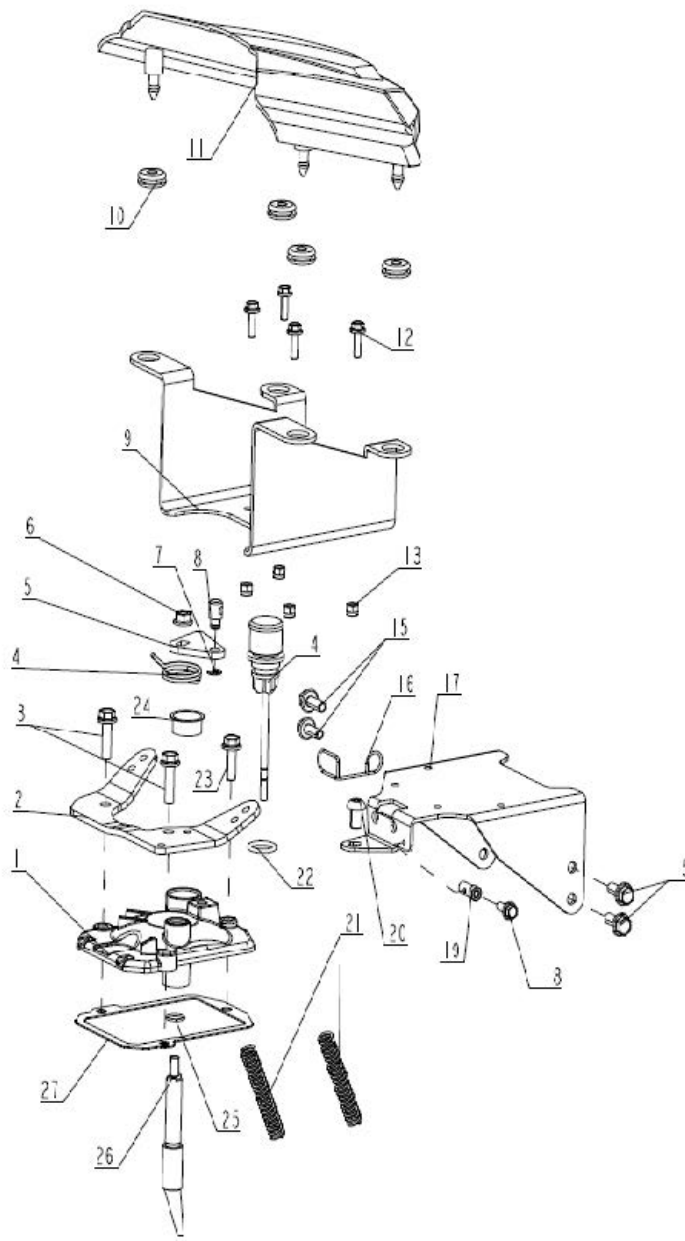
Lp	Kod	Nazwa	Ilość
1	971260	Bearing 6205 Φ 25* Φ 52*15	1
2	971261	Paper Pad	1
3	971262	Hole retaining ring Φ 47	1
4	971263	Bearing 6005	1
5	971264	Oil seal 30X42X7	1
6	971265	Axle bearing	1
7	971266	Hexagon self-locking nut M8	2
8	971267	Hex flange bolt M8X25	1
9	971268	Adjusting rod connecting piece	1
10	971269	Hexagon flange screw M6*16	1
11	971270	Cable fixing nut	1
12	971271	Friction lining retainer 1	1
13	971272	Hex flange nut M8	1
14	971273	Hexagon socket flat head screw M8X20	4
15	971274	Friction lining	1
16	971275	Friction lining	2
17	971276	Brake hub return spring	2

Lp	Kod	Nazwa	Ilość
18	971277	left spline shaft	1
19	971278	Double stud M10×40	4
20	971279	brake drum	1
21	971280	Shaft retaining ring 25	1

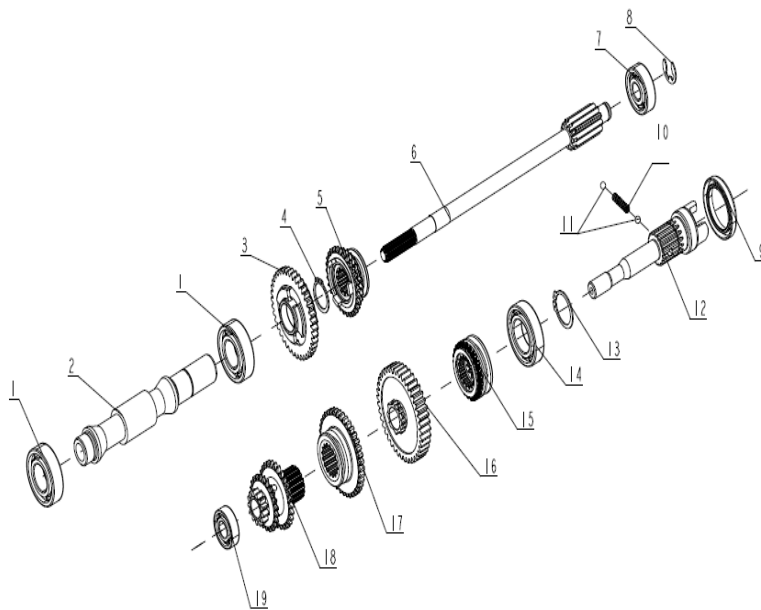


Lp	Kod	Nazwa	Ilość
1	97437	hydraulic disc brake system	1
2			
3			
4			
5			
6			
7			
8			
9			
10			
11			
12			
13			
14			
15			
16			
17			
18			
19			
20			
21			

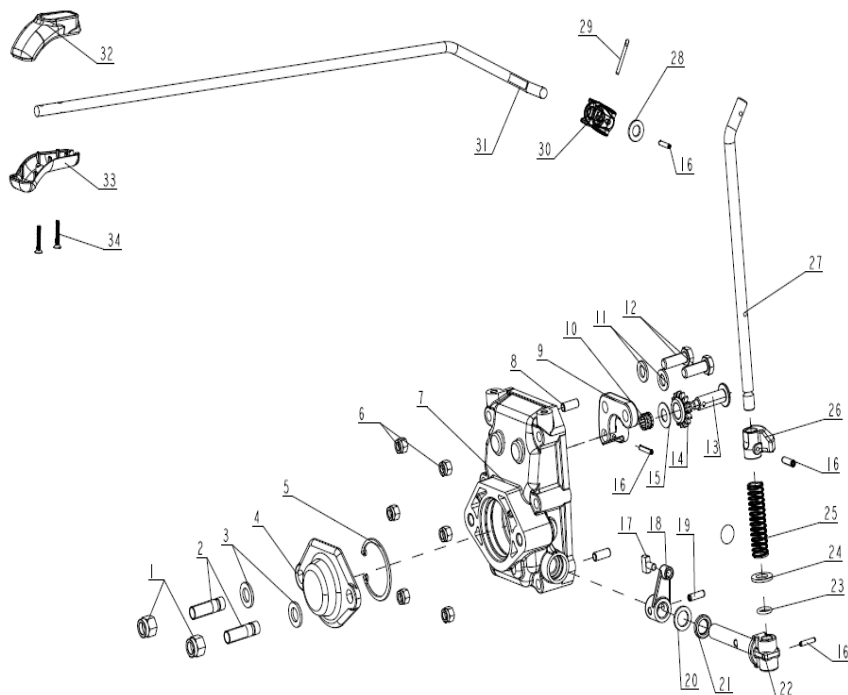
Lp	Kod	Nazwa	Ilość
22	97438	inside semicircle for wheel	1
23	97439	wheel assy	1
24	97440	washer $\Phi 10 * \Phi 22.5 * 2$	4
25	97441	elastic washer $\Phi 10$	4
26	97442	nut M10	4



Lp	Kod	Nazwa	Ilość
1	97443	upper cover	1
2	97444	cable support	1
3	97445	bolt M8*30	2
4	97446	spring	1
5	97447	lever plate	1
6	97448	nut M8	1
7	97449	circlip Φ 6	1
8	97450	clutch	1
9	97451	cover support	1
10	97452	rubber	4
11	97453	cover for battery	1
12	97454	screw M6X16	4
13	97455	nut M6	4
14	97456	dipstick assy	1
15	97457	screw M8x20	4
16	97458	switch off wire	1
17	97459	cable support	1
18	97460	screw M6X16	1
19	97461	nut	1
20	97462	screw M6X16	1
21	97463	spring	2
22	97464	o-ring Φ 19* Φ 3.55	1
23	97465	screw M8X25	1
24	97466	oil cap	1
25	97467	o-ring Φ 1.8* Φ 14	1
26	97468	clutch, steering fork	1
27	97469	gasket	1

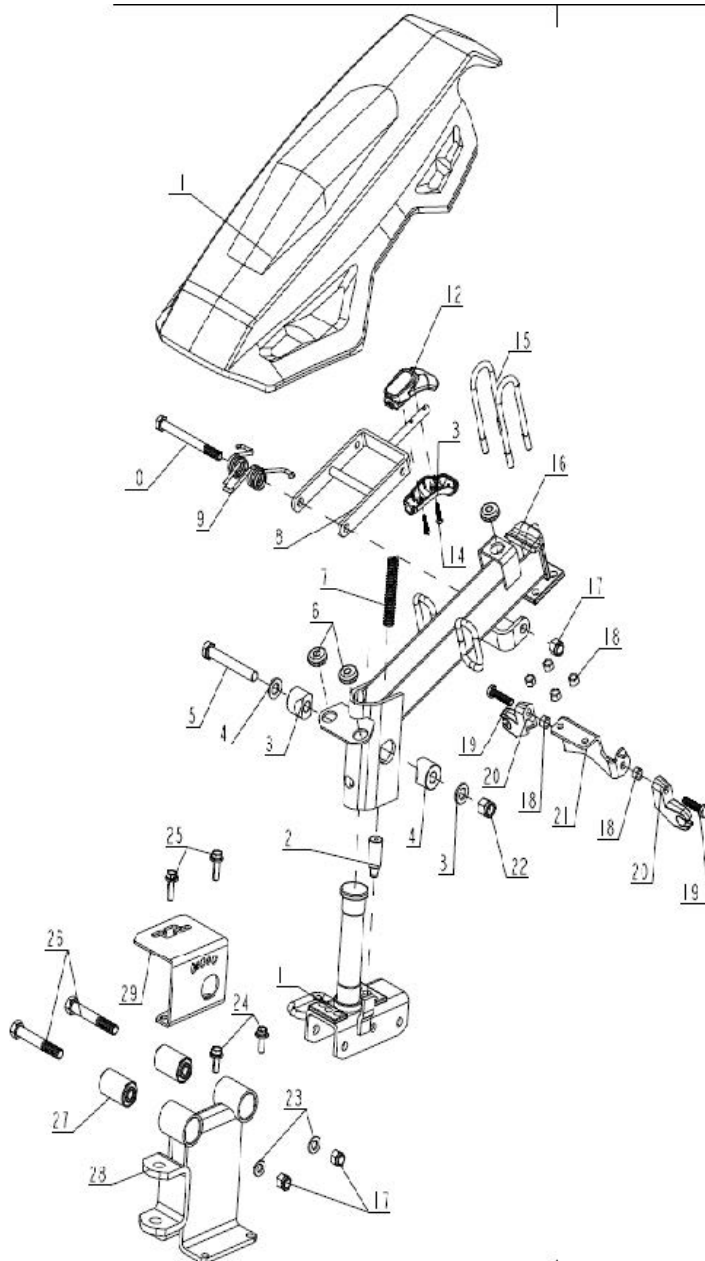


Lp	Kod	Nazwa	Ilość
1	97470	Bearing6205	2
2	97471	Worm	1
3	97472	Countershaft 38 tooth	1
4	97473	Axial spring collar 25	1
5	97474	Variable speed clutch gear	1
6	97475	Active spline shaft	1
7	97476	Bearing $\Phi 15*\Phi 42*13$	1
8	97477	C type jump ring $\Phi 12$	1
9	97478	Oil seal 38x55x7	1
10	97479	Functional clutch gear positioning spring	1
11	97480	Functional clutch gear positioning spring steel ball	2
12	97481	output shaft	1
13	97482	Axial spring collar 25 $\Phi 30$	1
14	97483	Bearing6006 $\Phi 30*\Phi 55*13$	1
15	97484	Functional clutch gear	1
16	97485	Function output 40 teeth	1
17	97486	Reverse sliding gear	1
18	97487	Transmission drive gear	1
19	97488	Bearing 6202 $\Phi 15*\Phi 35*11$	1

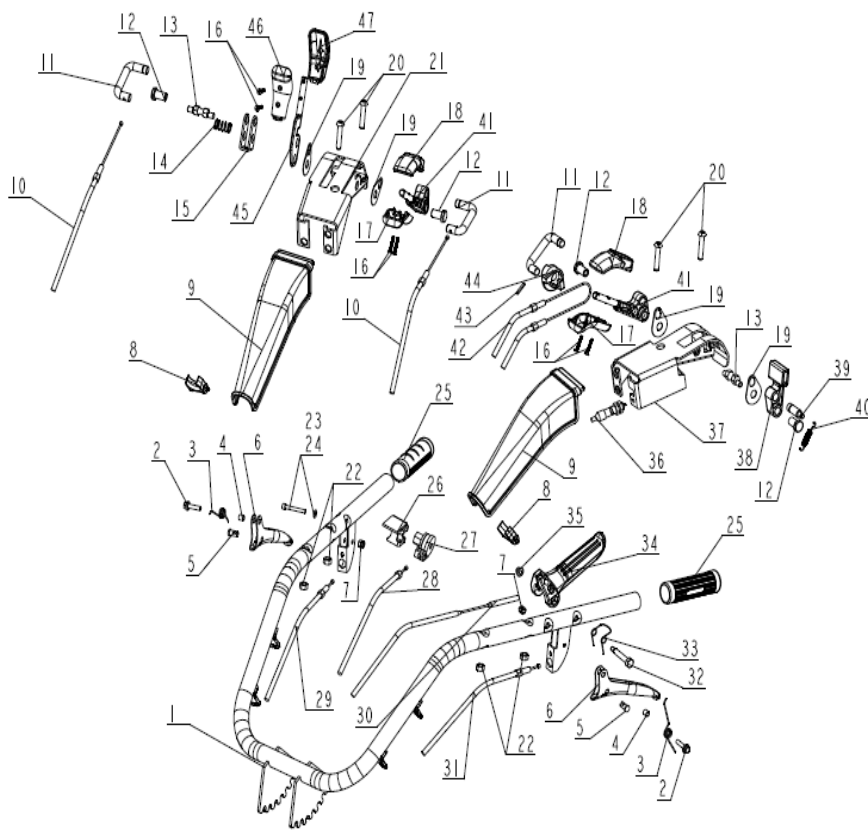


Lp	Kod	Nazwa	Ilość
1	97489	Hexagon check nut	2
2	97490	Double end stud	2
3	97491	Flat gasket	2
4	97492	The output protection cover	1
5	97493	Circlips for hole	1
6	97494	Hexagon check nut M8	6
7	97495	Rear cover	1
8	97496	Back cover dowelΦ8*18	2
9	97497	Reverse gear seat	1
10	97498	Needle bearing	1
11	97499	Flat gasket	2
12	97500	Hexagon bolt	2
13	97501	Reverse gear shaft	1
14	97502	Reverse gear	1
15	97503	Wear resistant gaskets	1
16	97504	Elastic cylindrical pin Φ4×20	4
17	97505	Rocker head	1
18	97506	Small rockle	1
19	97507	Elastic cylindrical pin	1
20	97508	Flat gasket Φ14*Φ20*2	1
21	97509	Oil seal Φ14*Φ22*4	1
22	97510	Function of the clutch fork shaft	1

Lp	Kod	Nazwa	Ilość
23	97511	O-type rings $\Phi 14 \times \Phi 2.65$	1
24	97512	Flat gasket	1
25	97513	Function of the clutch reset spring	1
26	97514	Function of the clutch plastic covers	1
27	97515	The function of the clutch connecting rod	1
28	97516	Flat gasket	1
29	97517	Cotter pin	1
30	97518	Function of the universal joint	1
31	97519	Long stick	1
32	97520	Handle on the plastic cover	1
33	97521	Handle under the plastic cover	1
34	97522	Cross recessed countersunk head screws ST4V25	2



Lp	Kod	Nazwa	Ilość
1	97523	steering shaft	1
2	97524	Steering positioning pin	1
3	97525	Steering shaft locating block	2
4	97526	Gasket 12*24*2.5	2
5	97527	Six angle head bolt M12*80	1
6	97528	protective cover fixing support rubber sleeve	3
7	97529	Planar steering reset spring	1
8	97530	Planar steering reset spring	1
9	97531	Lifting handle	1
10	97532	Six angle head bolt M10*110	1
11	97533	Protective cover for arm	1
12	97534	upper handle plastic cover	1
13	97535	under handle plastic cover	1
14	97536	ss recessed countersunk head screws ST4	2
15	97537	U shape bolt	2
16	97538	Arm connecting body	1
17	97539	Six angle head anti loose nut M10	3
18	97540	Six angle head anti loose nut M8	6
19	97541	Six angle head bolt M8*35	2
20	97542	Gear lever holder	2
21	97543	Limit plate	1
22	97544	Six angle head anti loose nut M12	1
23	97545	Flat gasket 10* Phi Phi 20*2	2
24	97546	Six angle flange bolts M8 * 20	2
25	97547	Six angle flange bolt M8*25	2
26	97548	Six angle head bolt M10*75	2
27	97549	Shock absorbing sleeve assembly	2
28	97550	Connecting seat of arm rest	1
29	97551	Gear board	1



Lp	Kod	Nazwa	Ilość
1	97552	handlebar	1
2	97553	Six angle head bolt m6*25	2
3	97554	Lower trigger reset spring	2
4	97555	The trigger reset spring pin Phi Phi 8*8 6.5	2
5	97556	Pull the pin	2
6	97557	automatic loader	2
7	97558	Six angle head anti loose nut M6	2
8	97559	Protective cover mounting card	2
9	97560	Protective cover for handle	2
10	97561	Reverse gear and steering clutch cable	2
11	97562	Guyed U type connecting rod	3
12	97563	Bolt locating pin	4
13	97564	Double headed bolt	2
14	97565	Reverse limit spring handle	1
15	97566	Reverse handle limit spring seat	1
16	97567	Under handle plastic cover	2
17	97568	upper handle plastic cover	2
18	97569	ss recessed countersunk head screws ST4	6

Lp	Kod	Nazwa	Ilość
19	97570	Linkage sheet	4
20	97571	In the six corners of pan head bolts M8*45	4
21	97572	Turn and reverse bracket	1
22	97573	Six angle head flange anti loose nut M8	4
23	97574	Inner six angle bolt M6*40	1
24	97575	gasket $\Phi 6.5 * \Phi 13 * 1$	1
25	97576	handlebar grip	2
26	97577	Accelerator Switch Bracket	1
27	97578	throttle switch assembly	1
28	97579	Throttle switch cable assembly	1
29	97580	The plane steering cable	1
30	97581	upper clutch cable assembly	1
31	97582	under clutch cable assembly	1
32	97583	Upper clutch handle screw shaft	1
33	97584	Upper clutch handle reset spring	1
34	97585	Upper clutch plate trigger	1
35	97586	Six angle flange anti loose nut M6	1
36	97587	turn off switch	2
37	97588	Turn off switch and brake bracket	1
38	97589	Turn off switch handle	1
39	97590	Reset spring connecting shaft	1
40	97591	Turn off switch reset spring	1
41	97592	lever handle	2
42	97593	Brake cable assembly	1
43	97594	The elastic cylindrical pin $\Phi 4 \times 20$	1
44	97595	Cable roller	1
45	97596	reverse gear lever	1
46	97597	Plastic cover under the handle (red)	1
47	97598	Plastic cover upper the handle (red)	1