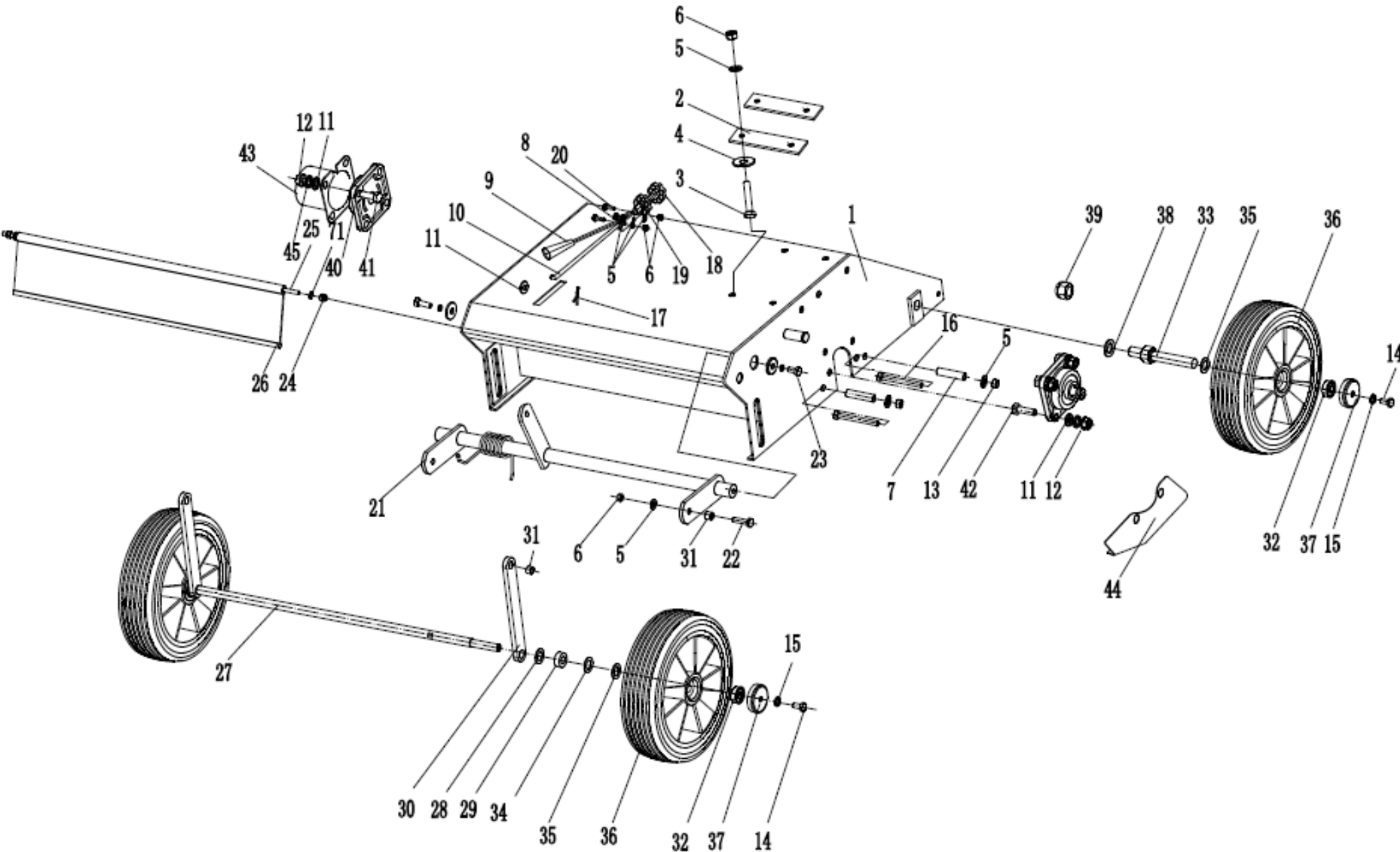


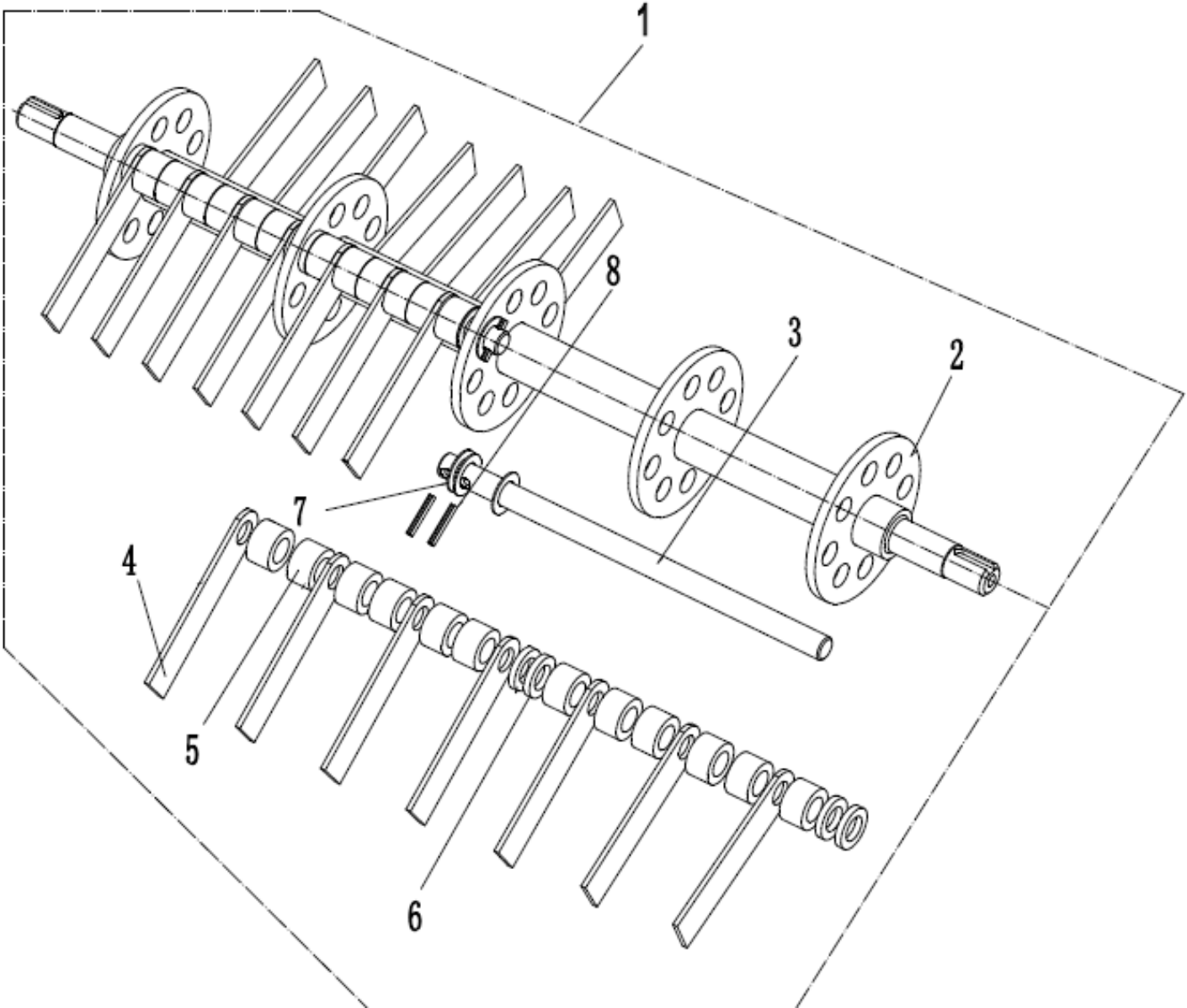
2 WB486CRB Deck Assembly



No.	Numer katalogowy	Name_English	Ilość
1	48R0101030/21	rake body	1
2	48R0300035/21	bracket	1
3	0101008040	bolt	4
4	0303008000	big washer	4
5	0301008000	spacer	
6	0202008000	lock nut	5
7	48R0107021/21	bush	2
8	48R0117014/22	height adjustment	1
9	46R0137010	handle grip	1
10	48R0117015/22	adjusting rod	1
11	0301010000	spacer	9
12	0202001000	lock nut	8
13	0201008000	nut	2
14	0101008015	bolt	4
15	0401008000	spring washer	4
16	0101008080	bolt	2
17	5320333010	cotter pin	1
18	46R0138010	knob	1
19	48R0138010	knob	1
20	0102008035	hexflange bolt	2
21	48R0131010/21	torque arm weld	1
22	0102008025	hexflange bolt	2
23	0102008025	hexflange bolt	2
24	0202006000	lock nut	2
25	48R0129010/02	deflector axis	1
26	48R0130010	rear deflector	1
27	48R0201020/02	front axis	1

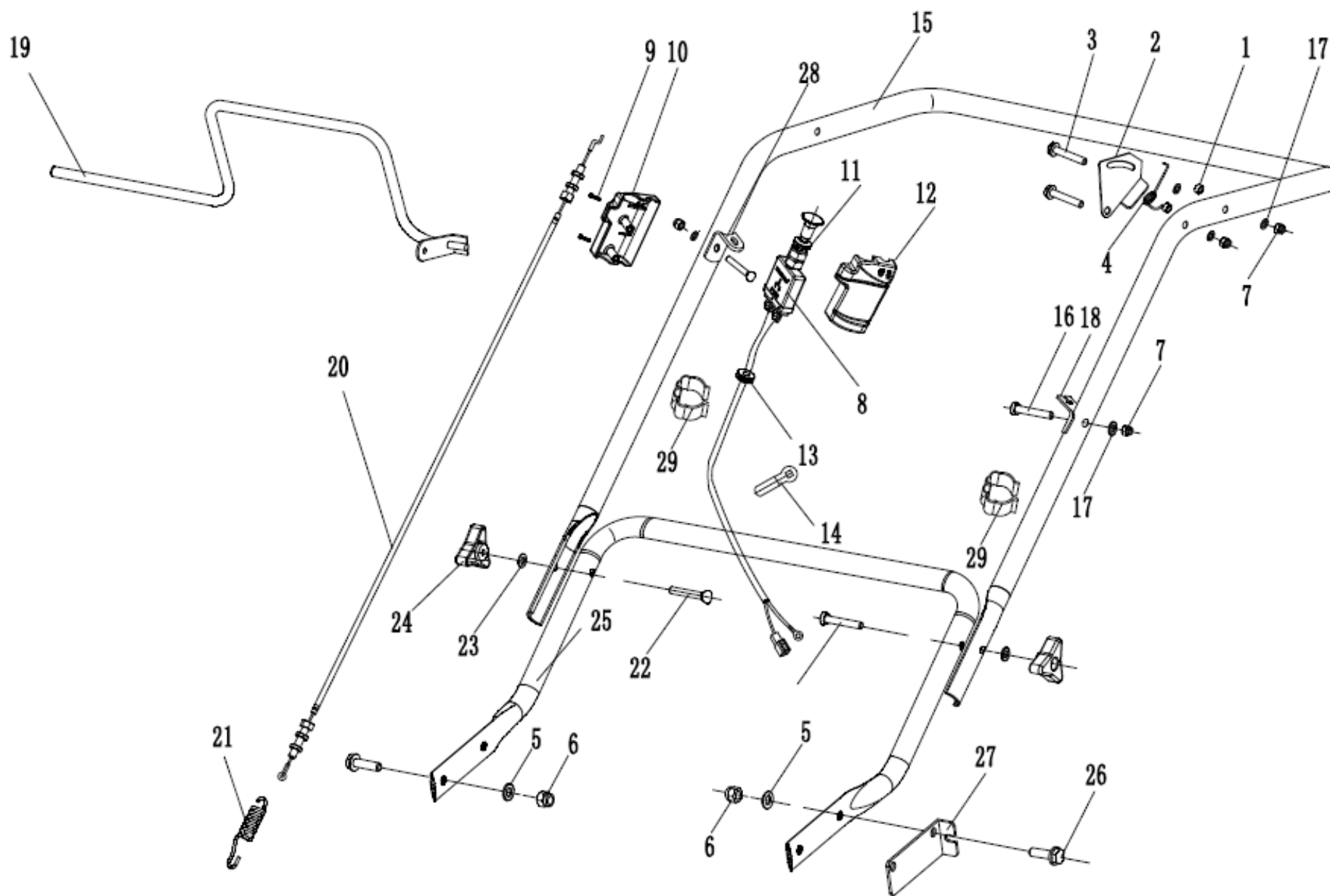
28	48R0201030	spacer	2
29	48R0201040	spacer1	2
30	48R0204020/21	connecting rod	2
31	48R0205010/02	bush	2
32	5310213010	bearing	8
33	48R0208030/02	rear wheel axis	2
34	5310210010/02	spacer	2
35	5310211010/02	spring washer	4
36	48R0210011	wheel 8"	4
37	48R0210012/01	hub cap	4
38	0301016000	spacer	2
39	0202016000	lock nut	2
40	UCF204	bearing assembly	2
41	0101010030	bolt	4
42	0101010025	bolt	4
43	48R0312010	axle head shield	1
44	48R0105020/21	deflector	1
45	0401010000	spring washer	8

3 WB486CRB Blade Component



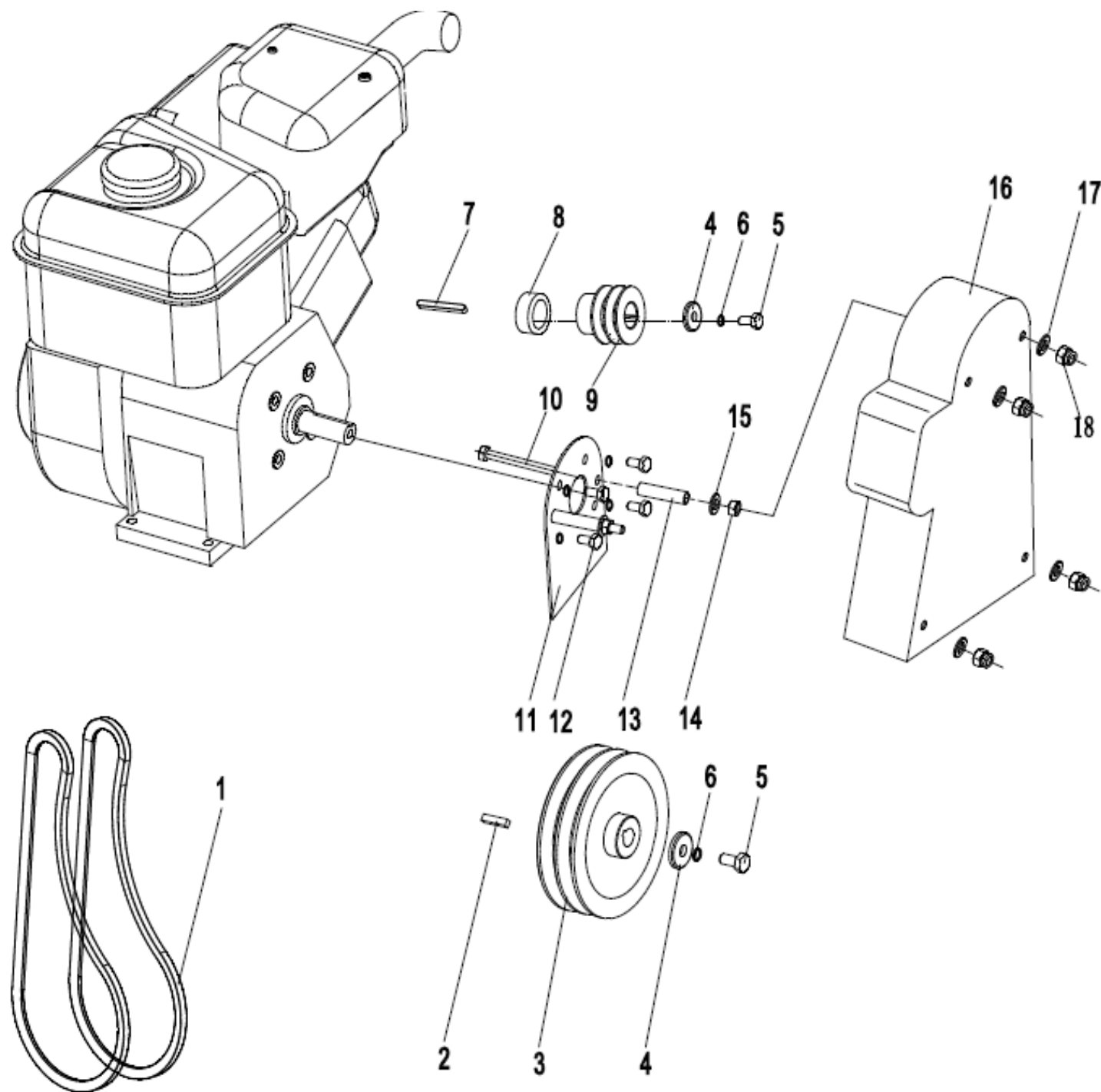
No.	Numer katalogowy	Name_English	Ilość
1			1
2	48R0301020S/22	rotor weld assembly	1
3	48R0304010/04	blades pivot	4
4	46R0306010/04	blade	28
5	48R0306010	blade bush II	48
6	48R0307010	blade bush I	14
7	48R0308010	nylon spacer	12
8	0701004025	spring pin	8

4 WB486CRB Handlebar



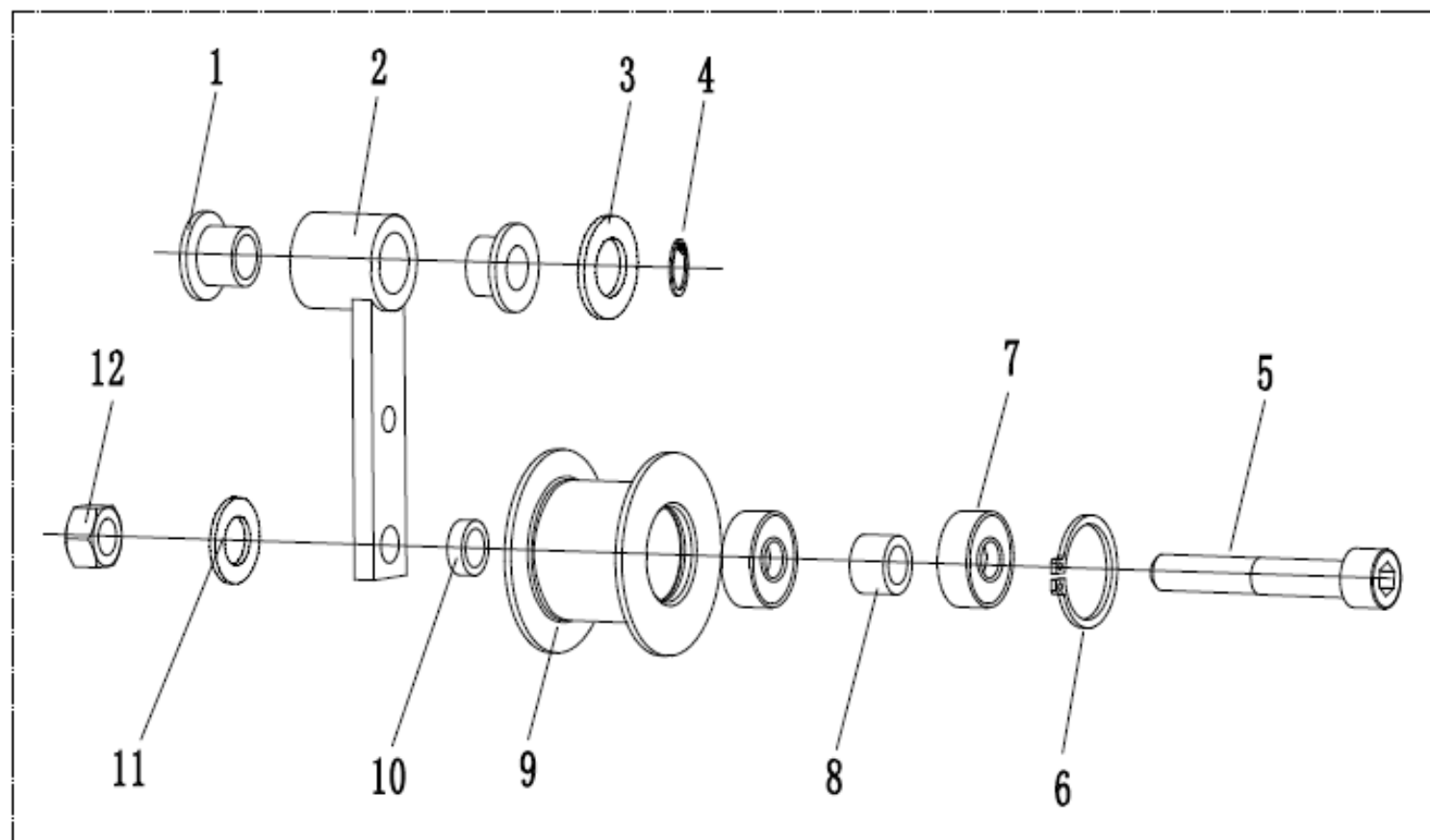
No.	Numer katalogowy	Name English	Ilość
1	40R0501013/02		2
2	40R0501012/22		1
3	0102006035		2
4	40R0501014		1
5	0301010000	spacer	2
6	0202001000	lock nut	2
7	0202006000	lock nut	2
8	KG/WB384RB	switch	1
9	0113004012	screw bolt	2
10	WB/KG04	under cover	1
11	WB/KG01		1
12	WB/KG03	up cover	1
13	WB/KG02		1
14	40E0109000		1
15	48R0401030/22	upper handle	1
16	0104006045	cross head screw	1
17	0301006000	spacer	3
18	48R0404020/02	upper cable bracket	1
19	48R0405030/22	clutch handle assembly	1
20	48R0409030	clutch cable	1
21	48R0410010	tensional spring	1
22	5310510010	screw 8x45	2
23	4510510010	washer	2
24	4820541010	knob	2
25	48R0416010/22	lower handle	1
26	0102010020	hexflange bolt	4
27	48R0414010/02	lower cable bracket	1
28	40R0502020/02	switch bracket	1
29	5320517010	clip	1

5 WB486CRB



No.	Numer katalogowy	Name_English	Ilość
1	4LXA782	belt	2
2	1101006020	key	1
3	40R0134010/04	big pulley	1
4	0303008000	big washer	2
5	0101008015	bolt	2
6	0401008000	spring washer	2
7	1101005030	key	1
8	40R0119111/02	spacer	1
9	40R0133010/04	engine pulley	1
10	0101008080	bolt	2
11	48R0116010S/21	engine plate	1
12	5340113020		4
13	48R0107021/21	bush	2
14	0201008000	nut	2
15	0301008000	spacer	12
16	48R0136000S/21	belt shield	1
17	0301008000	spacer	4
18	0207008000	cap nut	4

6 WB486CRB Tension Part



No.	Numer Katalogowy	Name_English	Ilosc
1	48R0113010	nylon bush	2
2	48R0111010/02	rotating arm	1
3	0301012000	spacer	1
4	1001012000	axis check ring	1
5	0103010050	inner hex screw	1
6	0901026000	check ring for hole	1
7	6000ZZ	ball bearing	2
8	51A0126010/02	bush I	1
9	40R0115010/02	tension pulley	1
10	48R0115010/02	bush	1
11	0301010000	spacer	1
12	0202001000	lock nut	1
13	40R0107023	tensional pulley torsion	1